

Maximum Floor Spans – Mid-span Blocking

General Notes

1. The tabulated spans may differ slightly from software programs.
2. It is preferable to use a software to reflect true conditions (span(s), loads, floor assembly, etc.). Alternatively, other tables are available on demand.

Index

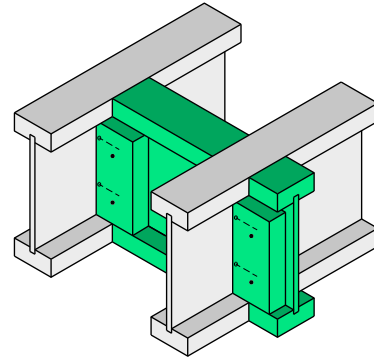
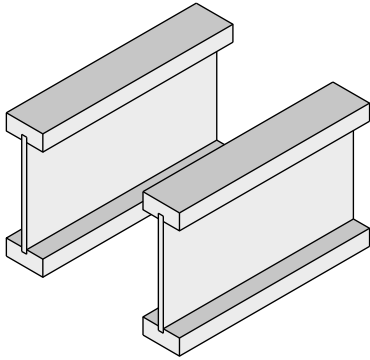
Number	Live load (psf)	Dead load (psf)	Spans	Deflection limit	Floor system	Sheathing	
						Thickness (in.)	Type
S1.1	40	15	Simple	L/480 or L/360	Nailed-glued	19/32	OSB
S1.2	40	15	Multiple	L/480 or L/360	Nailed-glued	19/32	OSB
S2.1	40	15	Simple	L/480 or L/360	Nailed-glued	5/8	OSB
S2.2	40	15	Multiple	L/480 or L/360	Nailed-glued	5/8	OSB
S3.1	40	15	Simple	L/480 or L/360	Nailed-glued	23/32	OSB
S3.2	40	15	Multiple	L/480 or L/360	Nailed-glued	23/32	OSB
S4.1	40	15	Simple	L/480 or L/360	Nailed-glued	3/4	OSB
S4.2	40	15	Multiple	L/480 or L/360	Nailed-glued	3/4	OSB
S5.1	40	15	Simple	L/480 or L/360	Nailed-glued	7/8	OSB
S5.2	40	15	Multiple	L/480 or L/360	Nailed-glued	7/8	OSB
S6.1	40	15	Simple	L/480 or L/360	Nailed-glued	5/8	Plywood
S6.2	40	15	Multiple	L/480 or L/360	Nailed-glued	5/8	Plywood
S7.1	40	15	Simple	L/480 or L/360	Nailed-glued	3/4	Plywood
S7.2	40	15	Multiple	L/480 or L/360	Nailed-glued	3/4	Plywood
M1.1	40	20	Simple	L/480 or L/360	Nailed-glued	19/32	OSB
M1.2	40	20	Multiple	L/480 or L/360	Nailed-glued	19/32	OSB
M2.1	40	20	Simple	L/480 or L/360	Nailed-glued	5/8	OSB
M2.2	40	20	Multiple	L/480 or L/360	Nailed-glued	5/8	OSB
M3.1	40	20	Simple	L/480 or L/360	Nailed-glued	23/32	OSB
M3.2	40	20	Multiple	L/480 or L/360	Nailed-glued	23/32	OSB
M4.1	40	20	Simple	L/480 or L/360	Nailed-glued	3/4	OSB
M4.2	40	20	Multiple	L/480 or L/360	Nailed-glued	3/4	OSB
M5.1	40	20	Simple	L/480 or L/360	Nailed-glued	7/8	OSB
M5.2	40	20	Multiple	L/480 or L/360	Nailed-glued	7/8	OSB
M6.1	40	20	Simple	L/480 or L/360	Nailed-glued	5/8	Plywood
M6.2	40	20	Multiple	L/480 or L/360	Nailed-glued	5/8	Plywood
M7.1	40	20	Simple	L/480 or L/360	Nailed-glued	3/4	Plywood
M7.2	40	20	Multiple	L/480 or L/360	Nailed-glued	3/4	Plywood
H1.1	40	35	Simple	L/480 or L/360	Nailed-glued	19/32	OSB
H1.2	40	35	Multiple	L/480 or L/360	Nailed-glued	19/32	OSB
H2.1	40	35	Simple	L/480 or L/360	Nailed-glued	5/8	OSB
H2.2	40	35	Multiple	L/480 or L/360	Nailed-glued	5/8	OSB
H3.1	40	35	Simple	L/480 or L/360	Nailed-glued	23/32	OSB
H3.2	40	35	Multiple	L/480 or L/360	Nailed-glued	23/32	OSB
H4.1	40	35	Simple	L/480 or L/360	Nailed-glued	3/4	OSB
H4.2	40	35	Multiple	L/480 or L/360	Nailed-glued	3/4	OSB
H5.1	40	35	Simple	L/480 or L/360	Nailed-glued	7/8	OSB
H5.2	40	35	Multiple	L/480 or L/360	Nailed-glued	7/8	OSB
H6.1	40	35	Simple	L/480 or L/360	Nailed-glued	5/8	Plywood
H6.2	40	35	Multiple	L/480 or L/360	Nailed-glued	5/8	Plywood
H7.1	40	35	Simple	L/480 or L/360	Nailed-glued	3/4	Plywood
H7.2	40	35	Multiple	L/480 or L/360	Nailed-glued	3/4	Plywood

Maximum Floor Spans – Mid-span Blocking (Continued)

Floor Assemblies

Bare

Mid-span blocking



Maximum Floor Spans – S1.1, Mid-span Blocking

Design Criteria

Spans:	Simple span
Loads:	Live load = 40 psf and dead load = 15 psf
Deflection limit:	L/240 under total load
Sheathing:	19/32 in. nailed-glued oriented strand board (OSB) sheathing

Maximum Floor Spans

Live load deflection limit of L/480

Joist depth	Joist series	Bare				Mid-span blocking			
		On centre spacing				On centre spacing			
		12"	16"	19.2"	24"	12"	16"	19.2"	24"
9-1/2"	NI-20	14'-11"	14'-1"	13'-7"	-	15'-10"	15'-0"	14'-4"	-
	NI-40x	15'-11"	15'-0"	14'-6"	-	16'-11"	16'-0"	15'-6"	-
	NI-60	16'-1"	15'-2"	14'-8"	-	17'-1"	16'-1"	15'-7"	-
	NI-80	17'-0"	16'-0"	15'-6"	-	18'-0"	17'-0"	16'-5"	-
11-7/8"	NI-20	16'-9"	15'-10"	15'-4"	-	17'-11"	17'-0"	16'-6"	-
	NI-40x	17'-10"	16'-10"	16'-3"	-	19'-5"	18'-0"	17'-5"	-
	NI-60	18'-1"	17'-0"	16'-5"	-	19'-8"	18'-3"	17'-7"	-
	NI-80	19'-5"	17'-11"	17'-4"	-	21'-0"	19'-6"	18'-8"	-
	NI-90	19'-10"	18'-4"	17'-7"	-	21'-5"	19'-11"	19'-0"	-
14"	NI-40x	19'-9"	18'-4"	17'-8"	-	21'-8"	20'-1"	19'-4"	-
	NI-60	20'-1"	18'-7"	17'-10"	-	22'-0"	20'-5"	19'-7"	-
	NI-80	21'-7"	19'-11"	19'-1"	-	23'-6"	21'-10"	20'-10"	-
	NI-90	22'-0"	20'-4"	19'-5"	-	24'-0"	22'-3"	21'-3"	-
16"	NI-60	21'-11"	20'-4"	19'-5"	-	24'-2"	22'-5"	21'-6"	-
	NI-80	23'-6"	21'-9"	20'-9"	-	25'-10"	23'-11"	22'-10"	-
	NI-90	23'-11"	22'-1"	21'-2"	-	26'-3"	24'-4"	23'-3"	-

Live load deflection limit of L/360

Joist depth	Joist series	Bare				Mid-span blocking			
		On centre spacing				On centre spacing			
		12"	16"	19.2"	24"	12"	16"	19.2"	24"
9-1/2"	NI-20	14'-11"	14'-1"	13'-7"	-	15'-10"	15'-0"	14'-6"	-
	NI-40x	15'-11"	15'-0"	14'-6"	-	16'-11"	16'-0"	15'-6"	-
	NI-60	16'-1"	15'-2"	14'-8"	-	17'-1"	16'-1"	15'-7"	-
	NI-80	17'-0"	16'-0"	15'-6"	-	18'-0"	17'-0"	16'-5"	-
11-7/8"	NI-20	16'-9"	15'-10"	15'-4"	-	17'-11"	17'-0"	16'-6"	-
	NI-40x	17'-10"	16'-10"	16'-3"	-	19'-5"	18'-0"	17'-5"	-
	NI-60	18'-1"	17'-0"	16'-5"	-	19'-8"	18'-3"	17'-7"	-
	NI-80	19'-5"	17'-11"	17'-4"	-	21'-0"	19'-6"	18'-8"	-
	NI-90	19'-10"	18'-4"	17'-7"	-	21'-5"	19'-11"	19'-0"	-
14"	NI-40x	19'-9"	18'-4"	17'-8"	-	21'-8"	20'-1"	19'-4"	-
	NI-60	20'-1"	18'-7"	17'-10"	-	22'-0"	20'-5"	19'-7"	-
	NI-80	21'-7"	19'-11"	19'-1"	-	23'-6"	21'-10"	20'-10"	-
	NI-90	22'-0"	20'-4"	19'-5"	-	24'-0"	22'-3"	21'-3"	-
16"	NI-60	21'-11"	20'-4"	19'-5"	-	24'-2"	22'-5"	21'-6"	-
	NI-80	23'-6"	21'-9"	20'-9"	-	25'-10"	23'-11"	22'-10"	-
	NI-90	23'-11"	22'-1"	21'-2"	-	26'-3"	24'-4"	23'-3"	-

Notes:

1. The tabulated clear spans are based on CSA O86:19 and NBC 2020, and are applicable to residential floor construction meeting the above design criteria.
2. The vibration-controlled span is determined using Clause A.5.4.5.2 b) of CSA O86:19.
3. For multiple-span applications, the end spans shall be 40% or more of the adjacent span.
4. Minimum bearing length shall be 1-3/4 inch for end bearings, and 3-1/2 inches for intermediate bearings.
5. Bearing stiffeners are not required when I-joists are used in accordance with this table, except as required for hangers.

Maximum Floor Spans – S1.2, Mid-span Blocking

Design Criteria

Spans:	Multiple spans
Loads:	Live load = 40 psf and dead load = 15 psf
Deflection limit:	L/240 under total load
Sheathing:	19/32 in. nailed-glued oriented strand board (OSB) sheathing

Maximum Floor Spans

Live load deflection limit of L/480

Joist depth	Joist series	Bare				Mid-span blocking			
		On centre spacing				On centre spacing			
		12"	16"	19.2"	24"	12"	16"	19.2"	24"
9-1/2"	NI-20	15'-5"	14'-7"	14'-2"	-	16'-5"	15'-7"	15'-1"	-
	NI-40x	16'-6"	15'-7"	15'-1"	-	17'-6"	16'-7"	16'-1"	-
	NI-60	16'-8"	15'-9"	15'-3"	-	17'-8"	16'-9"	16'-2"	-
	NI-80	17'-8"	16'-8"	16'-1"	-	18'-11"	17'-8"	17'-1"	-
11-7/8"	NI-20	17'-5"	16'-5"	15'-11"	-	18'-10"	17'-7"	17'-1"	-
	NI-40x	18'-9"	17'-6"	16'-11"	-	20'-4"	18'-11"	18'-2"	-
	NI-60	19'-0"	17'-8"	17'-1"	-	20'-7"	19'-2"	18'-4"	-
	NI-80	20'-5"	18'-11"	18'-1"	-	22'-1"	20'-6"	19'-7"	-
	NI-90	20'-10"	19'-3"	18'-5"	-	22'-6"	20'-11"	20'-0"	-
14"	NI-40x	20'-10"	19'-3"	18'-6"	-	22'-9"	21'-1"	20'-3"	-
	NI-60	21'-2"	19'-7"	18'-9"	-	23'-1"	21'-5"	20'-7"	-
	NI-80	22'-9"	21'-0"	20'-1"	-	24'-9"	22'-11"	21'-11"	-
	NI-90	23'-2"	21'-5"	20'-6"	-	25'-2"	23'-4"	22'-4"	-
16"	NI-60	23'-1"	21'-5"	20'-6"	-	25'-4"	23'-6"	22'-6"	-
	NI-80	24'-9"	22'-11"	21'-11"	-	27'-1"	25'-1"	24'-0"	-
	NI-90	25'-3"	23'-4"	22'-3"	-	27'-7"	25'-7"	24'-5"	-

Live load deflection limit of L/360

Joist depth	Joist series	Bare				Mid-span blocking			
		On centre spacing				On centre spacing			
		12"	16"	19.2"	24"	12"	16"	19.2"	24"
9-1/2"	NI-20	15'-5"	14'-7"	14'-2"	-	16'-5"	15'-7"	15'-1"	-
	NI-40x	16'-6"	15'-7"	15'-1"	-	17'-6"	16'-7"	16'-1"	-
	NI-60	16'-8"	15'-9"	15'-3"	-	17'-8"	16'-9"	16'-2"	-
	NI-80	17'-8"	16'-8"	16'-1"	-	18'-11"	17'-8"	17'-1"	-
11-7/8"	NI-20	17'-5"	16'-5"	15'-11"	-	18'-10"	17'-7"	17'-1"	-
	NI-40x	18'-9"	17'-6"	16'-11"	-	20'-4"	18'-11"	18'-2"	-
	NI-60	19'-0"	17'-8"	17'-1"	-	20'-7"	19'-2"	18'-4"	-
	NI-80	20'-5"	18'-11"	18'-1"	-	22'-1"	20'-6"	19'-7"	-
	NI-90	20'-10"	19'-3"	18'-5"	-	22'-6"	20'-11"	20'-0"	-
14"	NI-40x	20'-10"	19'-3"	18'-6"	-	22'-9"	21'-1"	20'-3"	-
	NI-60	21'-2"	19'-7"	18'-9"	-	23'-1"	21'-5"	20'-7"	-
	NI-80	22'-9"	21'-0"	20'-1"	-	24'-9"	22'-11"	21'-11"	-
	NI-90	23'-2"	21'-5"	20'-6"	-	25'-2"	23'-4"	22'-4"	-
16"	NI-60	23'-1"	21'-5"	20'-6"	-	25'-4"	23'-6"	22'-6"	-
	NI-80	24'-9"	22'-11"	21'-11"	-	27'-1"	25'-1"	24'-0"	-
	NI-90	25'-3"	23'-4"	22'-3"	-	27'-7"	25'-7"	24'-5"	-

Notes:

1. The tabulated clear spans are based on CSA O86:19 and NBC 2020, and are applicable to residential floor construction meeting the above design criteria.
2. The vibration-controlled span is determined using Clause A.5.4.5.2 b) of CSA O86:19.
3. For multiple-span applications, the end spans shall be 40% or more of the adjacent span.
4. Minimum bearing length shall be 1-3/4 inch for end bearings, and 3-1/2 inches for intermediate bearings.
5. Bearing stiffeners are not required when I-joists are used in accordance with this table, except as required for hangers.

Maximum Floor Spans – S2.1, Mid-span Blocking

Design Criteria

Spans:	Simple span
Loads:	Live load = 40 psf and dead load = 15 psf
Deflection limit:	L/240 under total load
Sheathing:	5/8 in. nailed-glued oriented strand board (OSB) sheathing

Maximum Floor Spans

Live load deflection limit of L/480

Joist depth	Joist series	Bare				Mid-span blocking			
		On centre spacing				On centre spacing			
		12"	16"	19.2"	24"	12"	16"	19.2"	24"
9-1/2"	NI-20	15'-1"	14'-3"	13'-10"	-	16'-1"	15'-2"	14'-5"	-
	NI-40x	16'-2"	15'-3"	14'-8"	-	17'-1"	16'-2"	15'-8"	-
	NI-60	16'-4"	15'-4"	14'-10"	-	17'-3"	16'-4"	15'-9"	-
	NI-80	17'-3"	16'-3"	15'-8"	-	18'-3"	17'-2"	16'-7"	-
11-7/8"	NI-20	17'-0"	16'-0"	15'-6"	-	18'-2"	17'-2"	16'-7"	-
	NI-40x	18'-2"	17'-1"	16'-6"	-	19'-8"	18'-3"	17'-7"	-
	NI-60	18'-5"	17'-3"	16'-8"	-	19'-11"	18'-6"	17'-9"	-
	NI-80	19'-9"	18'-3"	17'-7"	-	21'-4"	19'-9"	18'-11"	-
14"	NI-90	20'-2"	18'-8"	17'-10"	-	21'-9"	20'-2"	19'-3"	-
	NI-40x	20'-1"	18'-8"	17'-10"	-	21'-11"	20'-5"	19'-6"	-
	NI-60	20'-6"	18'-11"	18'-2"	-	22'-3"	20'-8"	19'-10"	-
	NI-80	21'-11"	20'-3"	19'-4"	-	23'-10"	22'-1"	21'-1"	-
16"	NI-90	22'-5"	20'-8"	19'-9"	-	24'-4"	22'-6"	21'-6"	-
	NI-60	22'-4"	20'-8"	19'-9"	-	24'-5"	22'-8"	21'-8"	-
	NI-80	23'-11"	22'-1"	21'-1"	-	26'-2"	24'-2"	23'-1"	-
	NI-90	24'-5"	22'-6"	21'-6"	-	26'-7"	24'-8"	23'-6"	-

Live load deflection limit of L/360

Joist depth	Joist series	Bare				Mid-span blocking			
		On centre spacing				On centre spacing			
		12"	16"	19.2"	24"	12"	16"	19.2"	24"
9-1/2"	NI-20	15'-1"	14'-3"	13'-10"	-	16'-1"	15'-2"	14'-6"	-
	NI-40x	16'-2"	15'-3"	14'-8"	-	17'-1"	16'-2"	15'-8"	-
	NI-60	16'-4"	15'-4"	14'-10"	-	17'-3"	16'-4"	15'-9"	-
	NI-80	17'-3"	16'-3"	15'-8"	-	18'-3"	17'-2"	16'-7"	-
11-7/8"	NI-20	17'-0"	16'-0"	15'-6"	-	18'-2"	17'-2"	16'-7"	-
	NI-40x	18'-2"	17'-1"	16'-6"	-	19'-8"	18'-3"	17'-7"	-
	NI-60	18'-5"	17'-3"	16'-8"	-	19'-11"	18'-6"	17'-9"	-
	NI-80	19'-9"	18'-3"	17'-7"	-	21'-4"	19'-9"	18'-11"	-
14"	NI-90	20'-2"	18'-8"	17'-10"	-	21'-9"	20'-2"	19'-3"	-
	NI-40x	20'-1"	18'-8"	17'-10"	-	21'-11"	20'-5"	19'-6"	-
	NI-60	20'-6"	18'-11"	18'-2"	-	22'-3"	20'-8"	19'-10"	-
	NI-80	21'-11"	20'-3"	19'-4"	-	23'-10"	22'-1"	21'-1"	-
16"	NI-90	22'-5"	20'-8"	19'-9"	-	24'-4"	22'-6"	21'-6"	-
	NI-60	22'-4"	20'-8"	19'-9"	-	24'-5"	22'-8"	21'-8"	-
	NI-80	23'-11"	22'-1"	21'-1"	-	26'-2"	24'-2"	23'-1"	-
	NI-90	24'-5"	22'-6"	21'-6"	-	26'-7"	24'-8"	23'-6"	-

Notes:

1. The tabulated clear spans are based on CSA O86:19 and NBC 2020, and are applicable to residential floor construction meeting the above design criteria.
2. The vibration-controlled span is determined using Clause A.5.4.5.2 b) of CSA O86:19.
3. For multiple-span applications, the end spans shall be 40% or more of the adjacent span.
4. Minimum bearing length shall be 1-3/4 inch for end bearings, and 3-1/2 inches for intermediate bearings.
5. Bearing stiffeners are not required when I-joists are used in accordance with this table, except as required for hangers.

Maximum Floor Spans – S2.2, Mid-span Blocking

Design Criteria

Spans:	Multiple spans
Loads:	Live load = 40 psf and dead load = 15 psf
Deflection limit:	L/240 under total load
Sheathing:	5/8 in. nailed-glued oriented strand board (OSB) sheathing

Maximum Floor Spans

Live load deflection limit of L/480

Joist depth	Joist series	Bare				Mid-span blocking			
		On centre spacing				On centre spacing			
		12"	16"	19.2"	24"	12"	16"	19.2"	24"
9-1/2"	NI-20	15'-8"	14'-10"	14'-4"	-	16'-8"	15'-9"	15'-3"	-
	NI-40x	16'-9"	15'-10"	15'-3"	-	17'-9"	16'-9"	16'-2"	-
	NI-60	16'-11"	16'-0"	15'-5"	-	17'-11"	16'-11"	16'-4"	-
	NI-80	18'-0"	16'-11"	16'-4"	-	19'-2"	17'-10"	17'-3"	-
11-7/8"	NI-20	17'-8"	16'-8"	16'-1"	-	19'-1"	17'-10"	17'-3"	-
	NI-40x	19'-1"	17'-9"	17'-2"	-	20'-7"	19'-2"	18'-4"	-
	NI-60	19'-4"	17'-11"	17'-4"	-	20'-11"	19'-5"	18'-7"	-
	NI-80	20'-10"	19'-3"	18'-4"	-	22'-4"	20'-9"	19'-10"	-
14"	NI-90	21'-3"	19'-8"	18'-9"	-	22'-10"	21'-2"	20'-3"	-
	NI-40x	21'-2"	19'-8"	18'-9"	-	23'-0"	21'-5"	20'-6"	-
	NI-60	21'-7"	19'-11"	19'-1"	-	23'-5"	21'-9"	20'-9"	-
	NI-80	23'-2"	21'-5"	20'-5"	-	25'-1"	23'-2"	22'-2"	-
16"	NI-90	23'-7"	21'-10"	20'-10"	-	25'-6"	23'-8"	22'-7"	-
	NI-60	23'-6"	21'-9"	20'-10"	-	25'-8"	23'-10"	22'-9"	-
	NI-80	25'-3"	23'-4"	22'-3"	-	27'-5"	25'-5"	24'-3"	-
	NI-90	25'-9"	23'-9"	22'-8"	-	27'-11"	25'-11"	24'-8"	-

Live load deflection limit of L/360

Joist depth	Joist series	Bare				Mid-span blocking			
		On centre spacing				On centre spacing			
		12"	16"	19.2"	24"	12"	16"	19.2"	24"
9-1/2"	NI-20	15'-8"	14'-10"	14'-4"	-	16'-8"	15'-9"	15'-3"	-
	NI-40x	16'-9"	15'-10"	15'-3"	-	17'-9"	16'-9"	16'-2"	-
	NI-60	16'-11"	16'-0"	15'-5"	-	17'-11"	16'-11"	16'-4"	-
	NI-80	18'-0"	16'-11"	16'-4"	-	19'-2"	17'-10"	17'-3"	-
11-7/8"	NI-20	17'-8"	16'-8"	16'-1"	-	19'-1"	17'-10"	17'-3"	-
	NI-40x	19'-1"	17'-9"	17'-2"	-	20'-7"	19'-2"	18'-4"	-
	NI-60	19'-4"	17'-11"	17'-4"	-	20'-11"	19'-5"	18'-7"	-
	NI-80	20'-10"	19'-3"	18'-4"	-	22'-4"	20'-9"	19'-10"	-
14"	NI-90	21'-3"	19'-8"	18'-9"	-	22'-10"	21'-2"	20'-3"	-
	NI-40x	21'-2"	19'-8"	18'-9"	-	23'-0"	21'-5"	20'-6"	-
	NI-60	21'-7"	19'-11"	19'-1"	-	23'-5"	21'-9"	20'-9"	-
	NI-80	23'-2"	21'-5"	20'-5"	-	25'-1"	23'-2"	22'-2"	-
16"	NI-90	23'-7"	21'-10"	20'-10"	-	25'-6"	23'-8"	22'-7"	-
	NI-60	23'-6"	21'-9"	20'-10"	-	25'-8"	23'-10"	22'-9"	-
	NI-80	25'-3"	23'-4"	22'-3"	-	27'-5"	25'-5"	24'-3"	-
	NI-90	25'-9"	23'-9"	22'-8"	-	27'-11"	25'-11"	24'-8"	-

Notes:

1. The tabulated clear spans are based on CSA O86:19 and NBC 2020, and are applicable to residential floor construction meeting the above design criteria.
2. The vibration-controlled span is determined using Clause A.5.4.5.2 b) of CSA O86:19.
3. For multiple-span applications, the end spans shall be 40% or more of the adjacent span.
4. Minimum bearing length shall be 1-3/4 inch for end bearings, and 3-1/2 inches for intermediate bearings.
5. Bearing stiffeners are not required when I-joists are used in accordance with this table, except as required for hangers.

Maximum Floor Spans – S3.1, Mid-span Blocking

Design Criteria

Spans:	Simple span
Loads:	Live load = 40 psf and dead load = 15 psf
Deflection limit:	L/240 under total load
Sheathing:	23/32 in. nailed-glued oriented strand board (OSB) sheathing

Maximum Floor Spans

Live load deflection limit of L/480

Joist depth	Joist series	Bare				Mid-span blocking			
		On centre spacing				On centre spacing			
		12"	16"	19.2"	24"	12"	16"	19.2"	24"
9-1/2"	NI-20	15'-9"	14'-10"	14'-4"	13'-5"	16'-7"	15'-4"	14'-6"	13'-5"
	NI-40x	16'-10"	15'-10"	15'-3"	14'-8"	17'-7"	16'-8"	16'-1"	15'-1"
	NI-60	16'-11"	16'-0"	15'-5"	14'-9"	17'-9"	16'-10"	16'-3"	15'-4"
	NI-80	18'-0"	16'-11"	16'-3"	15'-7"	19'-0"	17'-8"	17'-1"	16'-5"
11-7/8"	NI-20	17'-8"	16'-8"	16'-1"	15'-6"	18'-11"	17'-8"	17'-1"	16'-2"
	NI-40x	19'-1"	17'-9"	17'-1"	16'-5"	20'-5"	19'-0"	18'-1"	17'-5"
	NI-60	19'-4"	17'-11"	17'-3"	16'-7"	20'-8"	19'-2"	18'-4"	17'-7"
	NI-80	20'-9"	19'-2"	18'-3"	17'-5"	22'-1"	20'-6"	19'-7"	18'-7"
14"	NI-90	21'-2"	19'-7"	18'-8"	17'-9"	22'-7"	20'-11"	19'-11"	18'-11"
	NI-40x	21'-2"	19'-7"	18'-8"	17'-9"	22'-9"	21'-2"	20'-2"	19'-2"
	NI-60	21'-6"	19'-11"	19'-0"	18'-0"	23'-1"	21'-6"	20'-6"	19'-6"
	NI-80	23'-1"	21'-4"	20'-3"	19'-3"	24'-8"	22'-11"	21'-10"	20'-9"
16"	NI-90	23'-6"	21'-9"	20'-8"	19'-7"	25'-2"	23'-4"	22'-3"	21'-1"
	NI-60	23'-5"	21'-8"	20'-8"	19'-7"	25'-4"	23'-6"	22'-5"	21'-4"
	NI-80	25'-1"	23'-2"	22'-1"	20'-11"	27'-0"	25'-1"	23'-11"	22'-8"
NI-90	25'-7"	23'-7"	22'-6"	21'-3"	27'-6"	25'-6"	24'-4"	23'-0"	

Live load deflection limit of L/360

Joist depth	Joist series	Bare				Mid-span blocking			
		On centre spacing				On centre spacing			
		12"	16"	19.2"	24"	12"	16"	19.2"	24"
9-1/2"	NI-20	15'-9"	14'-10"	14'-4"	13'-5"	16'-7"	15'-5"	14'-6"	13'-5"
	NI-40x	16'-10"	15'-10"	15'-3"	14'-8"	17'-7"	16'-8"	16'-1"	15'-3"
	NI-60	16'-11"	16'-0"	15'-5"	14'-9"	17'-9"	16'-10"	16'-3"	15'-7"
	NI-80	18'-0"	16'-11"	16'-3"	15'-7"	19'-0"	17'-8"	17'-1"	16'-5"
11-7/8"	NI-20	17'-8"	16'-8"	16'-1"	15'-6"	18'-11"	17'-8"	17'-1"	16'-2"
	NI-40x	19'-1"	17'-9"	17'-1"	16'-5"	20'-5"	19'-0"	18'-1"	17'-5"
	NI-60	19'-4"	17'-11"	17'-3"	16'-7"	20'-8"	19'-2"	18'-4"	17'-7"
	NI-80	20'-9"	19'-2"	18'-3"	17'-5"	22'-1"	20'-6"	19'-7"	18'-7"
14"	NI-90	21'-2"	19'-7"	18'-8"	17'-9"	22'-7"	20'-11"	19'-11"	18'-11"
	NI-40x	21'-2"	19'-7"	18'-8"	17'-9"	22'-9"	21'-2"	20'-2"	19'-2"
	NI-60	21'-6"	19'-11"	19'-0"	18'-0"	23'-1"	21'-6"	20'-6"	19'-6"
	NI-80	23'-1"	21'-4"	20'-3"	19'-3"	24'-8"	22'-11"	21'-10"	20'-9"
16"	NI-90	23'-6"	21'-9"	20'-8"	19'-7"	25'-2"	23'-4"	22'-3"	21'-1"
	NI-60	23'-5"	21'-8"	20'-8"	19'-7"	25'-4"	23'-6"	22'-5"	21'-4"
	NI-80	25'-1"	23'-2"	22'-1"	20'-11"	27'-0"	25'-1"	23'-11"	22'-8"
NI-90	25'-7"	23'-7"	22'-6"	21'-3"	27'-6"	25'-6"	24'-4"	23'-0"	

Notes:

1. The tabulated clear spans are based on CSA O86:19 and NBC 2020, and are applicable to residential floor construction meeting the above design criteria.
2. The vibration-controlled span is determined using Clause A.5.4.5.2 b) of CSA O86:19.
3. For multiple-span applications, the end spans shall be 40% or more of the adjacent span.
4. Minimum bearing length shall be 1-3/4 inch for end bearings, and 3-1/2 inches for intermediate bearings.
5. Bearing stiffeners are not required when I-joists are used in accordance with this table, except as required for hangers.

Maximum Floor Spans – S3.2, Mid-span Blocking

Design Criteria

Spans:	Multiple spans
Loads:	Live load = 40 psf and dead load = 15 psf
Deflection limit:	L/240 under total load
Sheathing:	23/32 in. nailed-glued oriented strand board (OSB) sheathing

Maximum Floor Spans

Live load deflection limit of L/480

Joist depth	Joist series	Bare				Mid-span blocking			
		On centre spacing				On centre spacing			
		12"	16"	19.2"	24"	12"	16"	19.2"	24"
9-1/2"	NI-20	16'-4"	15'-5"	14'-11"	14'-4"	17'-2"	16'-3"	15'-8"	14'-7"
	NI-40x	17'-6"	16'-5"	15'-10"	15'-3"	18'-4"	17'-3"	16'-8"	15'-5"
	NI-60	17'-8"	16'-7"	16'-0"	15'-4"	18'-7"	17'-5"	16'-10"	16'-2"
	NI-80	18'-11"	17'-7"	16'-11"	16'-3"	19'-11"	18'-6"	17'-9"	17'-0"
11-7/8"	NI-20	18'-6"	17'-4"	16'-9"	16'-1"	19'-10"	18'-6"	17'-9"	16'-7"
	NI-40x	20'-1"	18'-7"	17'-9"	17'-1"	21'-5"	19'-11"	19'-0"	17'-7"
	NI-60	20'-4"	18'-10"	18'-0"	17'-3"	21'-8"	20'-2"	19'-3"	18'-4"
	NI-80	21'-10"	20'-2"	19'-3"	18'-3"	23'-3"	21'-6"	20'-7"	19'-6"
14"	NI-90	22'-4"	20'-7"	19'-7"	18'-7"	23'-8"	22'-0"	20'-11"	19'-11"
	NI-40x	22'-3"	20'-7"	19'-8"	18'-8"	23'-10"	22'-2"	21'-2"	19'-4"
	NI-60	22'-8"	20'-11"	20'-0"	18'-11"	24'-3"	22'-6"	21'-6"	20'-5"
	NI-80	24'-4"	22'-5"	21'-4"	20'-3"	25'-11"	24'-1"	22'-11"	21'-9"
16"	NI-90	24'-10"	22'-11"	21'-9"	20'-7"	26'-6"	24'-6"	23'-5"	22'-2"
	NI-60	24'-8"	22'-10"	21'-9"	20'-8"	26'-7"	24'-8"	23'-7"	22'-4"
	NI-80	26'-6"	24'-5"	23'-3"	22'-0"	28'-5"	26'-4"	25'-1"	23'-10"
	NI-90	27'-0"	24'-11"	23'-8"	22'-5"	28'-11"	26'-10"	25'-7"	24'-3"

Live load deflection limit of L/360

Joist depth	Joist series	Bare				Mid-span blocking			
		On centre spacing				On centre spacing			
		12"	16"	19.2"	24"	12"	16"	19.2"	24"
9-1/2"	NI-20	16'-4"	15'-5"	14'-11"	14'-4"	17'-2"	16'-3"	15'-8"	14'-7"
	NI-40x	17'-6"	16'-5"	15'-10"	15'-3"	18'-4"	17'-3"	16'-8"	15'-5"
	NI-60	17'-8"	16'-7"	16'-0"	15'-4"	18'-7"	17'-5"	16'-10"	16'-2"
	NI-80	18'-11"	17'-7"	16'-11"	16'-3"	19'-11"	18'-6"	17'-9"	17'-0"
11-7/8"	NI-20	18'-6"	17'-4"	16'-9"	16'-1"	19'-10"	18'-6"	17'-9"	16'-7"
	NI-40x	20'-1"	18'-7"	17'-9"	17'-1"	21'-5"	19'-11"	19'-0"	17'-7"
	NI-60	20'-4"	18'-10"	18'-0"	17'-3"	21'-8"	20'-2"	19'-3"	18'-4"
	NI-80	21'-10"	20'-2"	19'-3"	18'-3"	23'-3"	21'-6"	20'-7"	19'-6"
14"	NI-90	22'-4"	20'-7"	19'-7"	18'-7"	23'-8"	22'-0"	20'-11"	19'-11"
	NI-40x	22'-3"	20'-7"	19'-8"	18'-8"	23'-10"	22'-2"	21'-2"	19'-4"
	NI-60	22'-8"	20'-11"	20'-0"	18'-11"	24'-3"	22'-6"	21'-6"	20'-5"
	NI-80	24'-4"	22'-5"	21'-4"	20'-3"	25'-11"	24'-1"	22'-11"	21'-9"
16"	NI-90	24'-10"	22'-11"	21'-9"	20'-7"	26'-6"	24'-6"	23'-5"	22'-2"
	NI-60	24'-8"	22'-10"	21'-9"	20'-8"	26'-7"	24'-8"	23'-7"	22'-4"
	NI-80	26'-6"	24'-5"	23'-3"	22'-0"	28'-5"	26'-4"	25'-1"	23'-10"
	NI-90	27'-0"	24'-11"	23'-8"	22'-5"	28'-11"	26'-10"	25'-7"	24'-3"

Notes:

1. The tabulated clear spans are based on CSA O86:19 and NBC 2020, and are applicable to residential floor construction meeting the above design criteria.
2. The vibration-controlled span is determined using Clause A.5.4.5.2 b) of CSA O86:19.
3. For multiple-span applications, the end spans shall be 40% or more of the adjacent span.
4. Minimum bearing length shall be 1-3/4 inch for end bearings, and 3-1/2 inches for intermediate bearings.
5. Bearing stiffeners are not required when I-joists are used in accordance with this table, except as required for hangers.

Maximum Floor Spans – S4.1, Mid-span Blocking

Design Criteria

Spans:	Simple span
Loads:	Live load = 40 psf and dead load = 15 psf
Deflection limit:	L/240 under total load
Sheathing:	3/4 in. nailed-glued oriented strand board (OSB) sheathing

Maximum Floor Spans

Live load deflection limit of L/480

Joist depth	Joist series	Bare				Mid-span blocking			
		On centre spacing				On centre spacing			
		12"	16"	19.2"	24"	12"	16"	19.2"	24"
9-1/2"	NI-20	15'-11"	15'-0"	14'-6"	13'-5"	16'-8"	15'-5"	14'-6"	13'-5"
	NI-40x	17'-0"	16'-0"	15'-5"	14'-10"	17'-9"	16'-10"	16'-3"	15'-2"
	NI-60	17'-2"	16'-2"	15'-7"	14'-11"	17'-11"	16'-11"	16'-4"	15'-5"
	NI-80	18'-3"	17'-1"	16'-5"	15'-9"	19'-3"	17'-10"	17'-3"	16'-6"
11-7/8"	NI-20	17'-11"	16'-11"	16'-3"	15'-8"	19'-1"	17'-10"	17'-3"	16'-2"
	NI-40x	19'-4"	17'-11"	17'-3"	16'-7"	20'-7"	19'-2"	18'-4"	17'-6"
	NI-60	19'-7"	18'-2"	17'-6"	16'-9"	20'-11"	19'-5"	18'-7"	17'-8"
	NI-80	21'-1"	19'-6"	18'-6"	17'-7"	22'-4"	20'-9"	19'-9"	18'-9"
14"	NI-90	21'-6"	19'-10"	18'-11"	17'-11"	22'-10"	21'-2"	20'-2"	19'-1"
	NI-40x	21'-5"	19'-11"	18'-11"	18'-0"	23'-0"	21'-5"	20'-5"	19'-4"
	NI-60	21'-10"	20'-2"	19'-3"	18'-3"	23'-4"	21'-9"	20'-9"	19'-8"
	NI-80	23'-5"	21'-7"	20'-7"	19'-5"	25'-0"	23'-2"	22'-1"	20'-11"
16"	NI-90	23'-10"	22'-1"	21'-0"	19'-10"	25'-5"	23'-7"	22'-6"	21'-4"
	NI-60	23'-9"	22'-0"	21'-0"	19'-10"	25'-7"	23'-9"	22'-8"	21'-6"
	NI-80	25'-6"	23'-7"	22'-5"	21'-2"	27'-4"	25'-4"	24'-2"	22'-10"
	NI-90	26'-0"	24'-0"	22'-10"	21'-6"	27'-10"	25'-10"	24'-7"	23'-3"

Live load deflection limit of L/360

Joist depth	Joist series	Bare				Mid-span blocking			
		On centre spacing				On centre spacing			
		12"	16"	19.2"	24"	12"	16"	19.2"	24"
9-1/2"	NI-20	15'-11"	15'-0"	14'-6"	13'-5"	16'-8"	15'-5"	14'-6"	13'-5"
	NI-40x	17'-0"	16'-0"	15'-5"	14'-10"	17'-9"	16'-10"	16'-3"	15'-3"
	NI-60	17'-2"	16'-2"	15'-7"	14'-11"	17'-11"	16'-11"	16'-4"	15'-7"
	NI-80	18'-3"	17'-1"	16'-5"	15'-9"	19'-3"	17'-10"	17'-3"	16'-6"
11-7/8"	NI-20	17'-11"	16'-11"	16'-3"	15'-8"	19'-1"	17'-10"	17'-3"	16'-2"
	NI-40x	19'-4"	17'-11"	17'-3"	16'-7"	20'-7"	19'-2"	18'-4"	17'-6"
	NI-60	19'-7"	18'-2"	17'-6"	16'-9"	20'-11"	19'-5"	18'-7"	17'-8"
	NI-80	21'-1"	19'-6"	18'-6"	17'-7"	22'-4"	20'-9"	19'-9"	18'-9"
14"	NI-90	21'-6"	19'-10"	18'-11"	17'-11"	22'-10"	21'-2"	20'-2"	19'-1"
	NI-40x	21'-5"	19'-11"	18'-11"	18'-0"	23'-0"	21'-5"	20'-5"	19'-4"
	NI-60	21'-10"	20'-2"	19'-3"	18'-3"	23'-4"	21'-9"	20'-9"	19'-8"
	NI-80	23'-5"	21'-7"	20'-7"	19'-5"	25'-0"	23'-2"	22'-1"	20'-11"
16"	NI-90	23'-10"	22'-1"	21'-0"	19'-10"	25'-5"	23'-7"	22'-6"	21'-4"
	NI-60	23'-9"	22'-0"	21'-0"	19'-10"	25'-7"	23'-9"	22'-8"	21'-6"
	NI-80	25'-6"	23'-7"	22'-5"	21'-2"	27'-4"	25'-4"	24'-2"	22'-10"
	NI-90	26'-0"	24'-0"	22'-10"	21'-6"	27'-10"	25'-10"	24'-7"	23'-3"

Notes:

1. The tabulated clear spans are based on CSA O86:19 and NBC 2020, and are applicable to residential floor construction meeting the above design criteria.
2. The vibration-controlled span is determined using Clause A.5.4.5.2 b) of CSA O86:19.
3. For multiple-span applications, the end spans shall be 40% or more of the adjacent span.
4. Minimum bearing length shall be 1-3/4 inch for end bearings, and 3-1/2 inches for intermediate bearings.
5. Bearing stiffeners are not required when I-joists are used in accordance with this table, except as required for hangers.

Maximum Floor Spans – S4.2, Mid-span Blocking

Design Criteria

Spans:	Multiple spans
Loads:	Live load = 40 psf and dead load = 15 psf
Deflection limit:	L/240 under total load
Sheathing:	3/4 in. nailed-glued oriented strand board (OSB) sheathing

Maximum Floor Spans

Live load deflection limit of L/480

Joist depth	Joist series	Bare				Mid-span blocking			
		On centre spacing				On centre spacing			
		12"	16"	19.2"	24"	12"	16"	19.2"	24"
9-1/2"	NI-20	16'-7"	15'-7"	15'-1"	14'-6"	17'-4"	16'-5"	15'-9"	14'-7"
	NI-40x	17'-8"	16'-8"	16'-1"	15'-5"	18'-7"	17'-5"	16'-10"	15'-5"
	NI-60	17'-10"	16'-10"	16'-2"	15'-6"	18'-10"	17'-7"	17'-0"	16'-4"
	NI-80	19'-2"	17'-9"	17'-1"	16'-5"	20'-2"	18'-9"	17'-11"	17'-2"
11-7/8"	NI-20	18'-10"	17'-7"	16'-11"	16'-3"	20'-0"	18'-8"	17'-10"	16'-7"
	NI-40x	20'-4"	18'-11"	18'-0"	17'-3"	21'-8"	20'-2"	19'-3"	17'-7"
	NI-60	20'-8"	19'-2"	18'-3"	17'-5"	21'-11"	20'-5"	19'-6"	18'-6"
	NI-80	22'-2"	20'-6"	19'-6"	18'-6"	23'-6"	21'-10"	20'-9"	19'-8"
14"	NI-90	22'-8"	20'-11"	19'-11"	18'-10"	23'-11"	22'-3"	21'-2"	20'-1"
	NI-40x	22'-7"	20'-11"	19'-11"	18'-11"	24'-1"	22'-5"	21'-5"	19'-4"
	NI-60	23'-0"	21'-3"	20'-3"	19'-2"	24'-6"	22'-10"	21'-9"	20'-8"
	NI-80	24'-8"	22'-9"	21'-8"	20'-6"	26'-3"	24'-4"	23'-2"	22'-0"
16"	NI-90	25'-2"	23'-3"	22'-1"	20'-11"	26'-9"	24'-10"	23'-8"	22'-5"
	NI-60	25'-0"	23'-2"	22'-1"	20'-11"	26'-10"	25'-0"	23'-10"	22'-7"
	NI-80	26'-10"	24'-10"	23'-7"	22'-4"	28'-9"	26'-8"	25'-5"	24'-0"
NI-90	27'-5"	25'-3"	24'-0"	22'-8"	29'-3"	27'-2"	25'-10"	24'-5"	

Live load deflection limit of L/360

Joist depth	Joist series	Bare				Mid-span blocking			
		On centre spacing				On centre spacing			
		12"	16"	19.2"	24"	12"	16"	19.2"	24"
9-1/2"	NI-20	16'-7"	15'-7"	15'-1"	14'-6"	17'-4"	16'-5"	15'-9"	14'-7"
	NI-40x	17'-8"	16'-8"	16'-1"	15'-5"	18'-7"	17'-5"	16'-10"	15'-5"
	NI-60	17'-10"	16'-10"	16'-2"	15'-6"	18'-10"	17'-7"	17'-0"	16'-4"
	NI-80	19'-2"	17'-9"	17'-1"	16'-5"	20'-2"	18'-9"	17'-11"	17'-2"
11-7/8"	NI-20	18'-10"	17'-7"	16'-11"	16'-3"	20'-0"	18'-8"	17'-10"	16'-7"
	NI-40x	20'-4"	18'-11"	18'-0"	17'-3"	21'-8"	20'-2"	19'-3"	17'-7"
	NI-60	20'-8"	19'-2"	18'-3"	17'-5"	21'-11"	20'-5"	19'-6"	18'-6"
	NI-80	22'-2"	20'-6"	19'-6"	18'-6"	23'-6"	21'-10"	20'-9"	19'-8"
14"	NI-90	22'-8"	20'-11"	19'-11"	18'-10"	23'-11"	22'-3"	21'-2"	20'-1"
	NI-40x	22'-7"	20'-11"	19'-11"	18'-11"	24'-1"	22'-5"	21'-5"	19'-4"
	NI-60	23'-0"	21'-3"	20'-3"	19'-2"	24'-6"	22'-10"	21'-9"	20'-8"
	NI-80	24'-8"	22'-9"	21'-8"	20'-6"	26'-3"	24'-4"	23'-2"	22'-0"
16"	NI-90	25'-2"	23'-3"	22'-1"	20'-11"	26'-9"	24'-10"	23'-8"	22'-5"
	NI-60	25'-0"	23'-2"	22'-1"	20'-11"	26'-10"	25'-0"	23'-10"	22'-7"
	NI-80	26'-10"	24'-10"	23'-7"	22'-4"	28'-9"	26'-8"	25'-5"	24'-0"
NI-90	27'-5"	25'-3"	24'-0"	22'-8"	29'-3"	27'-2"	25'-10"	24'-5"	

Notes:

1. The tabulated clear spans are based on CSA O86:19 and NBC 2020, and are applicable to residential floor construction meeting the above design criteria.
2. The vibration-controlled span is determined using Clause A.5.4.5.2 b) of CSA O86:19.
3. For multiple-span applications, the end spans shall be 40% or more of the adjacent span.
4. Minimum bearing length shall be 1-3/4 inch for end bearings, and 3-1/2 inches for intermediate bearings.
5. Bearing stiffeners are not required when I-joists are used in accordance with this table, except as required for hangers.

Maximum Floor Spans – S5.1, Mid-span Blocking

Design Criteria

Spans:	Simple span
Loads:	Live load = 40 psf and dead load = 15 psf
Deflection limit:	L/240 under total load
Sheathing:	7/8 in. nailed-glued oriented strand board (OSB) sheathing

Maximum Floor Spans

Live load deflection limit of L/480

Joist depth	Joist series	Bare				Mid-span blocking			
		On centre spacing				On centre spacing			
		12"	16"	19.2"	24"	12"	16"	19.2"	24"
9-1/2"	NI-20	16'-8"	15'-5"	14'-6"	13'-5"	17'-0"	15'-5"	14'-6"	13'-5"
	NI-40x	17'-9"	16'-9"	16'-2"	15'-3"	18'-6"	17'-4"	16'-5"	15'-3"
	NI-60	17'-11"	16'-11"	16'-3"	15'-6"	18'-9"	17'-7"	16'-8"	15'-6"
	NI-80	19'-3"	17'-10"	17'-2"	16'-5"	20'-1"	18'-8"	17'-10"	17'-0"
11-7/8"	NI-20	18'-11"	17'-8"	17'-0"	16'-2"	19'-11"	18'-7"	17'-6"	16'-2"
	NI-40x	20'-5"	19'-0"	18'-1"	17'-3"	21'-6"	20'-0"	19'-1"	17'-8"
	NI-60	20'-8"	19'-3"	18'-4"	17'-5"	21'-9"	20'-4"	19'-4"	18'-4"
	NI-80	22'-2"	20'-7"	19'-7"	18'-5"	23'-3"	21'-8"	20'-8"	19'-6"
14"	NI-90	22'-8"	21'-0"	19'-11"	18'-9"	23'-9"	22'-1"	21'-1"	19'-10"
	NI-40x	22'-7"	21'-0"	20'-0"	18'-10"	23'-11"	22'-4"	21'-3"	19'-5"
	NI-60	23'-0"	21'-4"	20'-4"	19'-2"	24'-3"	22'-8"	21'-7"	20'-5"
	NI-80	24'-8"	22'-10"	21'-8"	20'-5"	26'-0"	24'-2"	23'-0"	21'-9"
16"	NI-90	25'-2"	23'-3"	22'-1"	20'-10"	26'-6"	24'-7"	23'-5"	22'-1"
	NI-60	25'-1"	23'-3"	22'-1"	20'-10"	26'-7"	24'-9"	23'-8"	22'-4"
	NI-80	26'-10"	24'-10"	23'-7"	22'-3"	28'-5"	26'-5"	25'-2"	23'-9"
	NI-90	27'-4"	25'-4"	24'-1"	22'-7"	28'-11"	26'-11"	25'-7"	24'-2"

Live load deflection limit of L/360

Joist depth	Joist series	Bare				Mid-span blocking			
		On centre spacing				On centre spacing			
		12"	16"	19.2"	24"	12"	16"	19.2"	24"
9-1/2"	NI-20	16'-8"	15'-5"	14'-6"	13'-5"	17'-1"	15'-5"	14'-6"	13'-5"
	NI-40x	17'-9"	16'-9"	16'-2"	15'-3"	18'-6"	17'-5"	16'-7"	15'-3"
	NI-60	17'-11"	16'-11"	16'-3"	15'-7"	18'-9"	17'-7"	16'-10"	15'-7"
	NI-80	19'-3"	17'-10"	17'-2"	16'-5"	20'-1"	18'-8"	17'-10"	17'-1"
11-7/8"	NI-20	18'-11"	17'-8"	17'-0"	16'-2"	19'-11"	18'-7"	17'-6"	16'-2"
	NI-40x	20'-5"	19'-0"	18'-1"	17'-3"	21'-6"	20'-0"	19'-1"	17'-8"
	NI-60	20'-8"	19'-3"	18'-4"	17'-5"	21'-9"	20'-4"	19'-4"	18'-4"
	NI-80	22'-2"	20'-7"	19'-7"	18'-5"	23'-3"	21'-8"	20'-8"	19'-6"
14"	NI-90	22'-8"	21'-0"	19'-11"	18'-9"	23'-9"	22'-1"	21'-1"	19'-10"
	NI-40x	22'-7"	21'-0"	20'-0"	18'-10"	23'-11"	22'-4"	21'-3"	19'-5"
	NI-60	23'-0"	21'-4"	20'-4"	19'-2"	24'-3"	22'-8"	21'-7"	20'-5"
	NI-80	24'-8"	22'-10"	21'-8"	20'-5"	26'-0"	24'-2"	23'-0"	21'-9"
16"	NI-90	25'-2"	23'-3"	22'-1"	20'-10"	26'-6"	24'-7"	23'-5"	22'-1"
	NI-60	25'-1"	23'-3"	22'-1"	20'-10"	26'-7"	24'-9"	23'-8"	22'-4"
	NI-80	26'-10"	24'-10"	23'-7"	22'-3"	28'-5"	26'-5"	25'-2"	23'-9"
	NI-90	27'-4"	25'-4"	24'-1"	22'-7"	28'-11"	26'-11"	25'-7"	24'-2"

Notes:

1. The tabulated clear spans are based on CSA O86:19 and NBC 2020, and are applicable to residential floor construction meeting the above design criteria.
2. The vibration-controlled span is determined using Clause A.5.4.5.2 b) of CSA O86:19.
3. For multiple-span applications, the end spans shall be 40% or more of the adjacent span.
4. Minimum bearing length shall be 1-3/4 inch for end bearings, and 3-1/2 inches for intermediate bearings.
5. Bearing stiffeners are not required when I-joists are used in accordance with this table, except as required for hangers.

Maximum Floor Spans – S5.2, Mid-span Blocking

Design Criteria

Spans:	Multiple spans
Loads:	Live load = 40 psf and dead load = 15 psf
Deflection limit:	L/240 under total load
Sheathing:	7/8 in. nailed-glued oriented strand board (OSB) sheathing

Maximum Floor Spans

Live load deflection limit of L/480

Joist depth	Joist series	Bare				Mid-span blocking			
		On centre spacing				On centre spacing			
		12"	16"	19.2"	24"	12"	16"	19.2"	24"
9-1/2"	NI-20	17'-4"	16'-4"	15'-9"	14'-7"	17'-11"	16'-10"	15'-9"	14'-7"
	NI-40x	18'-7"	17'-5"	16'-9"	15'-5"	19'-5"	18'-1"	17'-3"	15'-5"
	NI-60	18'-10"	17'-7"	16'-11"	16'-2"	19'-8"	18'-4"	17'-7"	16'-10"
	NI-80	20'-3"	18'-9"	17'-10"	17'-1"	21'-1"	19'-7"	18'-8"	17'-9"
11-7/8"	NI-20	19'-10"	18'-6"	17'-8"	16'-7"	20'-11"	19'-6"	18'-7"	16'-7"
	NI-40x	21'-6"	19'-11"	19'-0"	17'-7"	22'-6"	21'-0"	19'-9"	17'-7"
	NI-60	21'-9"	20'-3"	19'-3"	18'-2"	22'-10"	21'-4"	20'-4"	19'-3"
	NI-80	23'-4"	21'-8"	20'-7"	19'-5"	24'-5"	22'-9"	21'-8"	20'-6"
14"	NI-90	23'-10"	22'-1"	21'-0"	19'-9"	24'-11"	23'-3"	22'-1"	20'-10"
	NI-40x	23'-10"	22'-1"	21'-1"	19'-4"	25'-1"	23'-5"	21'-8"	19'-4"
	NI-60	24'-3"	22'-6"	21'-5"	20'-2"	25'-6"	23'-9"	22'-8"	21'-5"
	NI-80	26'-0"	24'-1"	22'-10"	21'-6"	27'-3"	25'-5"	24'-2"	22'-10"
16"	NI-90	26'-6"	24'-6"	23'-4"	21'-11"	27'-10"	25'-11"	24'-8"	23'-3"
	NI-60	26'-5"	24'-6"	23'-4"	21'-11"	27'-11"	26'-0"	24'-10"	23'-5"
	NI-80	28'-3"	26'-2"	24'-11"	23'-5"	29'-10"	27'-9"	26'-6"	24'-11"
	NI-90	28'-10"	26'-8"	25'-4"	23'-10"	30'-4"	28'-3"	26'-11"	25'-5"

Live load deflection limit of L/360

Joist depth	Joist series	Bare				Mid-span blocking			
		On centre spacing				On centre spacing			
		12"	16"	19.2"	24"	12"	16"	19.2"	24"
9-1/2"	NI-20	17'-4"	16'-4"	15'-9"	14'-7"	17'-11"	16'-10"	15'-9"	14'-7"
	NI-40x	18'-7"	17'-5"	16'-9"	15'-5"	19'-5"	18'-1"	17'-3"	15'-5"
	NI-60	18'-10"	17'-7"	16'-11"	16'-2"	19'-8"	18'-4"	17'-7"	16'-10"
	NI-80	20'-3"	18'-9"	17'-10"	17'-1"	21'-1"	19'-7"	18'-8"	17'-9"
11-7/8"	NI-20	19'-10"	18'-6"	17'-8"	16'-7"	20'-11"	19'-6"	18'-7"	16'-7"
	NI-40x	21'-6"	19'-11"	19'-0"	17'-7"	22'-6"	21'-0"	19'-9"	17'-7"
	NI-60	21'-9"	20'-3"	19'-3"	18'-2"	22'-10"	21'-4"	20'-4"	19'-3"
	NI-80	23'-4"	21'-8"	20'-7"	19'-5"	24'-5"	22'-9"	21'-8"	20'-6"
14"	NI-90	23'-10"	22'-1"	21'-0"	19'-9"	24'-11"	23'-3"	22'-1"	20'-10"
	NI-40x	23'-10"	22'-1"	21'-1"	19'-4"	25'-1"	23'-5"	21'-8"	19'-4"
	NI-60	24'-3"	22'-6"	21'-5"	20'-2"	25'-6"	23'-9"	22'-8"	21'-5"
	NI-80	26'-0"	24'-1"	22'-10"	21'-6"	27'-3"	25'-5"	24'-2"	22'-10"
16"	NI-90	26'-6"	24'-6"	23'-4"	21'-11"	27'-10"	25'-11"	24'-8"	23'-3"
	NI-60	26'-5"	24'-6"	23'-4"	21'-11"	27'-11"	26'-0"	24'-10"	23'-5"
	NI-80	28'-3"	26'-2"	24'-11"	23'-5"	29'-10"	27'-9"	26'-6"	24'-11"
	NI-90	28'-10"	26'-8"	25'-4"	23'-10"	30'-4"	28'-3"	26'-11"	25'-5"

Notes:

1. The tabulated clear spans are based on CSA O86:19 and NBC 2020, and are applicable to residential floor construction meeting the above design criteria.
2. The vibration-controlled span is determined using Clause A.5.4.5.2 b) of CSA O86:19.
3. For multiple-span applications, the end spans shall be 40% or more of the adjacent span.
4. Minimum bearing length shall be 1-3/4 inch for end bearings, and 3-1/2 inches for intermediate bearings.
5. Bearing stiffeners are not required when I-joists are used in accordance with this table, except as required for hangers.

Maximum Floor Spans – S6.1, Mid-span Blocking

Design Criteria

Spans:	Simple span
Loads:	Live load = 40 psf and dead load = 15 psf
Deflection limit:	L/240 under total load
Sheathing:	5/8 in. nailed-glued Canadian softwood plywood

Maximum Floor Spans

Live load deflection limit of L/480

Joist depth	Joist series	Bare				Mid-span blocking			
		On centre spacing				On centre spacing			
		12"	16"	19.2"	24"	12"	16"	19.2"	24"
9-1/2"	NI-20	14'-11"	14'-1"	13'-7"	-	15'-10"	15'-0"	14'-3"	-
	NI-40x	15'-11"	15'-0"	14'-6"	-	16'-11"	16'-0"	15'-6"	-
	NI-60	16'-1"	15'-2"	14'-8"	-	17'-1"	16'-1"	15'-7"	-
	NI-80	17'-1"	16'-1"	15'-6"	-	18'-1"	17'-0"	16'-5"	-
11-7/8"	NI-20	16'-9"	15'-10"	15'-4"	-	17'-11"	17'-0"	16'-5"	-
	NI-40x	17'-10"	16'-10"	16'-3"	-	19'-5"	18'-0"	17'-5"	-
	NI-60	18'-1"	17'-0"	16'-5"	-	19'-8"	18'-3"	17'-7"	-
	NI-80	19'-6"	18'-0"	17'-4"	-	21'-1"	19'-6"	18'-8"	-
14"	NI-90	19'-11"	18'-4"	17'-8"	-	21'-6"	19'-11"	19'-0"	-
	NI-40x	19'-10"	18'-4"	17'-8"	-	21'-8"	20'-1"	19'-3"	-
	NI-60	20'-2"	18'-8"	17'-11"	-	22'-0"	20'-5"	19'-7"	-
	NI-80	21'-8"	20'-0"	19'-1"	-	23'-7"	21'-10"	20'-11"	-
16"	NI-90	22'-1"	20'-5"	19'-6"	-	24'-1"	22'-3"	21'-3"	-
	NI-60	22'-0"	20'-4"	19'-6"	-	24'-2"	22'-5"	21'-5"	-
	NI-80	23'-7"	21'-10"	20'-10"	-	25'-10"	23'-11"	22'-10"	-
	NI-90	24'-1"	22'-2"	21'-2"	-	26'-4"	24'-4"	23'-3"	-

Live load deflection limit of L/360

Joist depth	Joist series	Bare				Mid-span blocking			
		On centre spacing				On centre spacing			
		12"	16"	19.2"	24"	12"	16"	19.2"	24"
9-1/2"	NI-20	14'-11"	14'-1"	13'-7"	-	15'-10"	15'-0"	14'-6"	-
	NI-40x	15'-11"	15'-0"	14'-6"	-	16'-11"	16'-0"	15'-6"	-
	NI-60	16'-1"	15'-2"	14'-8"	-	17'-1"	16'-1"	15'-7"	-
	NI-80	17'-1"	16'-1"	15'-6"	-	18'-1"	17'-0"	16'-5"	-
11-7/8"	NI-20	16'-9"	15'-10"	15'-4"	-	17'-11"	17'-0"	16'-5"	-
	NI-40x	17'-10"	16'-10"	16'-3"	-	19'-5"	18'-0"	17'-5"	-
	NI-60	18'-1"	17'-0"	16'-5"	-	19'-8"	18'-3"	17'-7"	-
	NI-80	19'-6"	18'-0"	17'-4"	-	21'-1"	19'-6"	18'-8"	-
14"	NI-90	19'-11"	18'-4"	17'-8"	-	21'-6"	19'-11"	19'-0"	-
	NI-40x	19'-10"	18'-4"	17'-8"	-	21'-8"	20'-1"	19'-3"	-
	NI-60	20'-2"	18'-8"	17'-11"	-	22'-0"	20'-5"	19'-7"	-
	NI-80	21'-8"	20'-0"	19'-1"	-	23'-7"	21'-10"	20'-11"	-
16"	NI-90	22'-1"	20'-5"	19'-6"	-	24'-1"	22'-3"	21'-3"	-
	NI-60	22'-0"	20'-4"	19'-6"	-	24'-2"	22'-5"	21'-5"	-
	NI-80	23'-7"	21'-10"	20'-10"	-	25'-10"	23'-11"	22'-10"	-
	NI-90	24'-1"	22'-2"	21'-2"	-	26'-4"	24'-4"	23'-3"	-

Notes:

1. The tabulated clear spans are based on CSA O86:19 and NBC 2020, and are applicable to residential floor construction meeting the above design criteria.
2. The vibration-controlled span is determined using Clause A.5.4.5.2 b) of CSA O86:19.
3. For multiple-span applications, the end spans shall be 40% or more of the adjacent span.
4. Minimum bearing length shall be 1-3/4 inch for end bearings, and 3-1/2 inches for intermediate bearings.
5. Bearing stiffeners are not required when I-joists are used in accordance with this table, except as required for hangers.

Maximum Floor Spans – S6.2, Mid-span Blocking

Design Criteria

Spans:	Multiple spans
Loads:	Live load = 40 psf and dead load = 15 psf
Deflection limit:	L/240 under total load
Sheathing:	5/8 in. nailed-glued Canadian softwood plywood

Maximum Floor Spans

Live load deflection limit of L/480

Joist depth	Joist series	Bare				Mid-span blocking			
		On centre spacing				On centre spacing			
		12"	16"	19.2"	24"	12"	16"	19.2"	24"
9-1/2"	NI-20	15'-6"	14'-7"	14'-2"	-	16'-5"	15'-7"	15'-1"	-
	NI-40x	16'-7"	15'-7"	15'-1"	-	17'-6"	16'-7"	16'-0"	-
	NI-60	16'-9"	15'-9"	15'-3"	-	17'-8"	16'-9"	16'-2"	-
	NI-80	17'-9"	16'-8"	16'-2"	-	19'-0"	17'-8"	17'-1"	-
11-7/8"	NI-20	17'-5"	16'-5"	15'-11"	-	18'-10"	17'-7"	17'-1"	-
	NI-40x	18'-10"	17'-6"	16'-11"	-	20'-4"	18'-11"	18'-1"	-
	NI-60	19'-1"	17'-9"	17'-1"	-	20'-7"	19'-2"	18'-4"	-
	NI-80	20'-6"	19'-0"	18'-2"	-	22'-1"	20'-6"	19'-7"	-
	NI-90	21'-0"	19'-4"	18'-6"	-	22'-7"	20'-11"	20'-0"	-
14"	NI-40x	20'-10"	19'-4"	18'-6"	-	22'-9"	21'-1"	20'-3"	-
	NI-60	21'-3"	19'-8"	18'-10"	-	23'-1"	21'-5"	20'-7"	-
	NI-80	22'-10"	21'-1"	20'-2"	-	24'-9"	22'-11"	21'-11"	-
	NI-90	23'-4"	21'-6"	20'-7"	-	25'-3"	23'-5"	22'-4"	-
16"	NI-60	23'-2"	21'-5"	20'-6"	-	25'-4"	23'-6"	22'-6"	-
	NI-80	24'-11"	23'-0"	21'-11"	-	27'-2"	25'-2"	24'-0"	-
	NI-90	25'-5"	23'-5"	22'-4"	-	27'-8"	25'-7"	24'-5"	-

Live load deflection limit of L/360

Joist depth	Joist series	Bare				Mid-span blocking			
		On centre spacing				On centre spacing			
		12"	16"	19.2"	24"	12"	16"	19.2"	24"
9-1/2"	NI-20	15'-6"	14'-7"	14'-2"	-	16'-5"	15'-7"	15'-1"	-
	NI-40x	16'-7"	15'-7"	15'-1"	-	17'-6"	16'-7"	16'-0"	-
	NI-60	16'-9"	15'-9"	15'-3"	-	17'-8"	16'-9"	16'-2"	-
	NI-80	17'-9"	16'-8"	16'-2"	-	19'-0"	17'-8"	17'-1"	-
11-7/8"	NI-20	17'-5"	16'-5"	15'-11"	-	18'-10"	17'-7"	17'-1"	-
	NI-40x	18'-10"	17'-6"	16'-11"	-	20'-4"	18'-11"	18'-1"	-
	NI-60	19'-1"	17'-9"	17'-1"	-	20'-7"	19'-2"	18'-4"	-
	NI-80	20'-6"	19'-0"	18'-2"	-	22'-1"	20'-6"	19'-7"	-
	NI-90	21'-0"	19'-4"	18'-6"	-	22'-7"	20'-11"	20'-0"	-
14"	NI-40x	20'-10"	19'-4"	18'-6"	-	22'-9"	21'-1"	20'-3"	-
	NI-60	21'-3"	19'-8"	18'-10"	-	23'-1"	21'-5"	20'-7"	-
	NI-80	22'-10"	21'-1"	20'-2"	-	24'-9"	22'-11"	21'-11"	-
	NI-90	23'-4"	21'-6"	20'-7"	-	25'-3"	23'-5"	22'-4"	-
16"	NI-60	23'-2"	21'-5"	20'-6"	-	25'-4"	23'-6"	22'-6"	-
	NI-80	24'-11"	23'-0"	21'-11"	-	27'-2"	25'-2"	24'-0"	-
	NI-90	25'-5"	23'-5"	22'-4"	-	27'-8"	25'-7"	24'-5"	-

Notes:

1. The tabulated clear spans are based on CSA O86:19 and NBC 2020, and are applicable to residential floor construction meeting the above design criteria.
2. The vibration-controlled span is determined using Clause A.5.4.5.2 b) of CSA O86:19.
3. For multiple-span applications, the end spans shall be 40% or more of the adjacent span.
4. Minimum bearing length shall be 1-3/4 inch for end bearings, and 3-1/2 inches for intermediate bearings.
5. Bearing stiffeners are not required when I-joists are used in accordance with this table, except as required for hangers.

Maximum Floor Spans – S7.1, Mid-span Blocking

Design Criteria

Spans:	Simple span
Loads:	Live load = 40 psf and dead load = 15 psf
Deflection limit:	L/240 under total load
Sheathing:	3/4 in. nailed-glued Canadian softwood plywood

Maximum Floor Spans

Live load deflection limit of L/480

Joist depth	Joist series	Bare				Mid-span blocking			
		On centre spacing				On centre spacing			
		12"	16"	19.2"	24"	12"	16"	19.2"	24"
9-1/2"	NI-20	15'-10"	15'-0"	14'-5"	13'-5"	16'-8"	15'-5"	14'-6"	13'-5"
	NI-40x	16'-11"	15'-11"	15'-4"	14'-9"	17'-8"	16'-9"	16'-2"	15'-2"
	NI-60	17'-1"	16'-1"	15'-6"	14'-10"	17'-10"	16'-11"	16'-4"	15'-5"
	NI-80	18'-1"	17'-0"	16'-4"	15'-8"	19'-2"	17'-10"	17'-2"	16'-6"
11-7/8"	NI-20	17'-10"	16'-10"	16'-2"	15'-7"	19'-0"	17'-9"	17'-2"	16'-2"
	NI-40x	19'-3"	17'-10"	17'-2"	16'-6"	20'-6"	19'-1"	18'-3"	17'-6"
	NI-60	19'-6"	18'-1"	17'-4"	16'-8"	20'-9"	19'-4"	18'-6"	17'-8"
	NI-80	20'-11"	19'-4"	18'-5"	17'-7"	22'-3"	20'-8"	19'-8"	18'-8"
14"	NI-90	21'-4"	19'-9"	18'-9"	17'-10"	22'-8"	21'-1"	20'-1"	19'-0"
	NI-40x	21'-4"	19'-9"	18'-10"	17'-11"	22'-10"	21'-3"	20'-4"	19'-4"
	NI-60	21'-8"	20'-1"	19'-2"	18'-2"	23'-3"	21'-7"	20'-7"	19'-7"
	NI-80	23'-3"	21'-6"	20'-5"	19'-4"	24'-10"	23'-1"	22'-0"	20'-10"
16"	NI-90	23'-9"	21'-11"	20'-10"	19'-8"	25'-4"	23'-6"	22'-5"	21'-2"
	NI-60	23'-7"	21'-10"	20'-10"	19'-9"	25'-5"	23'-8"	22'-7"	21'-5"
	NI-80	25'-4"	23'-5"	22'-3"	21'-1"	27'-2"	25'-3"	24'-1"	22'-9"
	NI-90	25'-10"	23'-10"	22'-8"	21'-5"	27'-8"	25'-8"	24'-6"	23'-2"

Live load deflection limit of L/360

Joist depth	Joist series	Bare				Mid-span blocking			
		On centre spacing				On centre spacing			
		12"	16"	19.2"	24"	12"	16"	19.2"	24"
9-1/2"	NI-20	15'-10"	15'-0"	14'-5"	13'-5"	16'-8"	15'-5"	14'-6"	13'-5"
	NI-40x	16'-11"	15'-11"	15'-4"	14'-9"	17'-8"	16'-9"	16'-2"	15'-3"
	NI-60	17'-1"	16'-1"	15'-6"	14'-10"	17'-10"	16'-11"	16'-4"	15'-7"
	NI-80	18'-1"	17'-0"	16'-4"	15'-8"	19'-2"	17'-10"	17'-2"	16'-6"
11-7/8"	NI-20	17'-10"	16'-10"	16'-2"	15'-7"	19'-0"	17'-9"	17'-2"	16'-2"
	NI-40x	19'-3"	17'-10"	17'-2"	16'-6"	20'-6"	19'-1"	18'-3"	17'-6"
	NI-60	19'-6"	18'-1"	17'-4"	16'-8"	20'-9"	19'-4"	18'-6"	17'-8"
	NI-80	20'-11"	19'-4"	18'-5"	17'-7"	22'-3"	20'-8"	19'-8"	18'-8"
14"	NI-90	21'-4"	19'-9"	18'-9"	17'-10"	22'-8"	21'-1"	20'-1"	19'-0"
	NI-40x	21'-4"	19'-9"	18'-10"	17'-11"	22'-10"	21'-3"	20'-4"	19'-4"
	NI-60	21'-8"	20'-1"	19'-2"	18'-2"	23'-3"	21'-7"	20'-7"	19'-7"
	NI-80	23'-3"	21'-6"	20'-5"	19'-4"	24'-10"	23'-1"	22'-0"	20'-10"
16"	NI-90	23'-9"	21'-11"	20'-10"	19'-8"	25'-4"	23'-6"	22'-5"	21'-2"
	NI-60	23'-7"	21'-10"	20'-10"	19'-9"	25'-5"	23'-8"	22'-7"	21'-5"
	NI-80	25'-4"	23'-5"	22'-3"	21'-1"	27'-2"	25'-3"	24'-1"	22'-9"
	NI-90	25'-10"	23'-10"	22'-8"	21'-5"	27'-8"	25'-8"	24'-6"	23'-2"

Notes:

1. The tabulated clear spans are based on CSA O86:19 and NBC 2020, and are applicable to residential floor construction meeting the above design criteria.
2. The vibration-controlled span is determined using Clause A.5.4.5.2 b) of CSA O86:19.
3. For multiple-span applications, the end spans shall be 40% or more of the adjacent span.
4. Minimum bearing length shall be 1-3/4 inch for end bearings, and 3-1/2 inches for intermediate bearings.
5. Bearing stiffeners are not required when I-joists are used in accordance with this table, except as required for hangers.

Maximum Floor Spans – S7.2, Mid-span Blocking

Design Criteria

Spans:	Multiple spans
Loads:	Live load = 40 psf and dead load = 15 psf
Deflection limit:	L/240 under total load
Sheathing:	3/4 in. nailed-glued Canadian softwood plywood

Maximum Floor Spans

Live load deflection limit of L/480

Joist depth	Joist series	Bare				Mid-span blocking			
		On centre spacing				On centre spacing			
		12"	16"	19.2"	24"	12"	16"	19.2"	24"
9-1/2"	NI-20	16'-5"	15'-7"	15'-0"	14'-5"	17'-3"	16'-4"	15'-9"	14'-7"
	NI-40x	17'-7"	16'-7"	16'-0"	15'-4"	18'-6"	17'-4"	16'-9"	15'-5"
	NI-60	17'-9"	16'-9"	16'-1"	15'-6"	18'-9"	17'-6"	16'-11"	16'-3"
	NI-80	19'-1"	17'-8"	17'-0"	16'-4"	20'-1"	18'-8"	17'-10"	17'-1"
11-7/8"	NI-20	18'-8"	17'-6"	16'-10"	16'-2"	19'-11"	18'-7"	17'-10"	16'-7"
	NI-40x	20'-3"	18'-9"	17'-11"	17'-2"	21'-6"	20'-0"	19'-2"	17'-7"
	NI-60	20'-6"	19'-0"	18'-2"	17'-4"	21'-10"	20'-3"	19'-4"	18'-5"
	NI-80	22'-0"	20'-4"	19'-5"	18'-4"	23'-4"	21'-8"	20'-8"	19'-7"
14"	NI-90	22'-6"	20'-9"	19'-9"	18'-9"	23'-10"	22'-1"	21'-1"	20'-0"
	NI-40x	22'-5"	20'-9"	19'-10"	18'-10"	24'-0"	22'-4"	21'-4"	19'-4"
	NI-60	22'-10"	21'-2"	20'-2"	19'-1"	24'-5"	22'-8"	21'-8"	20'-7"
	NI-80	24'-6"	22'-8"	21'-6"	20'-5"	26'-1"	24'-3"	23'-1"	21'-11"
16"	NI-90	25'-0"	23'-1"	21'-11"	20'-9"	26'-7"	24'-8"	23'-6"	22'-3"
	NI-60	24'-11"	23'-0"	21'-11"	20'-9"	26'-9"	24'-10"	23'-8"	22'-6"
	NI-80	26'-8"	24'-8"	23'-5"	22'-2"	28'-7"	26'-6"	25'-3"	23'-11"
NI-90	27'-2"	25'-1"	23'-11"	22'-7"	29'-1"	27'-0"	25'-9"	24'-4"	

Live load deflection limit of L/360

Joist depth	Joist series	Bare				Mid-span blocking			
		On centre spacing				On centre spacing			
		12"	16"	19.2"	24"	12"	16"	19.2"	24"
9-1/2"	NI-20	16'-5"	15'-7"	15'-0"	14'-5"	17'-3"	16'-4"	15'-9"	14'-7"
	NI-40x	17'-7"	16'-7"	16'-0"	15'-4"	18'-6"	17'-4"	16'-9"	15'-5"
	NI-60	17'-9"	16'-9"	16'-1"	15'-6"	18'-9"	17'-6"	16'-11"	16'-3"
	NI-80	19'-1"	17'-8"	17'-0"	16'-4"	20'-1"	18'-8"	17'-10"	17'-1"
11-7/8"	NI-20	18'-8"	17'-6"	16'-10"	16'-2"	19'-11"	18'-7"	17'-10"	16'-7"
	NI-40x	20'-3"	18'-9"	17'-11"	17'-2"	21'-6"	20'-0"	19'-2"	17'-7"
	NI-60	20'-6"	19'-0"	18'-2"	17'-4"	21'-10"	20'-3"	19'-4"	18'-5"
	NI-80	22'-0"	20'-4"	19'-5"	18'-4"	23'-4"	21'-8"	20'-8"	19'-7"
14"	NI-90	22'-6"	20'-9"	19'-9"	18'-9"	23'-10"	22'-1"	21'-1"	20'-0"
	NI-40x	22'-5"	20'-9"	19'-10"	18'-10"	24'-0"	22'-4"	21'-4"	19'-4"
	NI-60	22'-10"	21'-2"	20'-2"	19'-1"	24'-5"	22'-8"	21'-8"	20'-7"
	NI-80	24'-6"	22'-8"	21'-6"	20'-5"	26'-1"	24'-3"	23'-1"	21'-11"
16"	NI-90	25'-0"	23'-1"	21'-11"	20'-9"	26'-7"	24'-8"	23'-6"	22'-3"
	NI-60	24'-11"	23'-0"	21'-11"	20'-9"	26'-9"	24'-10"	23'-8"	22'-6"
	NI-80	26'-8"	24'-8"	23'-5"	22'-2"	28'-7"	26'-6"	25'-3"	23'-11"
NI-90	27'-2"	25'-1"	23'-11"	22'-7"	29'-1"	27'-0"	25'-9"	24'-4"	

Notes:

1. The tabulated clear spans are based on CSA O86:19 and NBC 2020, and are applicable to residential floor construction meeting the above design criteria.
2. The vibration-controlled span is determined using Clause A.5.4.5.2 b) of CSA O86:19.
3. For multiple-span applications, the end spans shall be 40% or more of the adjacent span.
4. Minimum bearing length shall be 1-3/4 inch for end bearings, and 3-1/2 inches for intermediate bearings.
5. Bearing stiffeners are not required when I-joists are used in accordance with this table, except as required for hangers.

Maximum Floor Spans – M1.1, Mid-span Blocking

Design Criteria

Spans:	Simple span
Loads:	Live load = 40 psf and dead load = 20 psf
Deflection limit:	L/240 under total load
Sheathing:	19/32 in. nailed-glued oriented strand board (OSB) sheathing

Maximum Floor Spans

Live load deflection limit of L/480

Joist depth	Joist series	Bare				Mid-span blocking			
		On centre spacing				On centre spacing			
		12"	16"	19.2"	24"	12"	16"	19.2"	24"
9-1/2"	NI-20	14'-11"	14'-1"	13'-7"	-	15'-10"	15'-0"	14'-4"	-
	NI-40x	15'-11"	15'-0"	14'-6"	-	16'-11"	16'-0"	15'-6"	-
	NI-60	16'-1"	15'-2"	14'-8"	-	17'-1"	16'-1"	15'-7"	-
	NI-80	17'-0"	16'-0"	15'-6"	-	18'-0"	17'-0"	16'-5"	-
11-7/8"	NI-20	16'-9"	15'-10"	15'-4"	-	17'-11"	17'-0"	16'-6"	-
	NI-40x	17'-10"	16'-10"	16'-3"	-	19'-5"	18'-0"	17'-5"	-
	NI-60	18'-1"	17'-0"	16'-5"	-	19'-8"	18'-3"	17'-7"	-
	NI-80	19'-5"	17'-11"	17'-4"	-	21'-0"	19'-6"	18'-8"	-
14"	NI-90	19'-10"	18'-4"	17'-7"	-	21'-5"	19'-11"	19'-0"	-
	NI-40x	19'-9"	18'-4"	17'-8"	-	21'-8"	20'-1"	19'-4"	-
	NI-60	20'-1"	18'-7"	17'-10"	-	22'-0"	20'-5"	19'-7"	-
	NI-80	21'-7"	19'-11"	19'-1"	-	23'-6"	21'-10"	20'-10"	-
16"	NI-90	22'-0"	20'-4"	19'-5"	-	24'-0"	22'-3"	21'-3"	-
	NI-60	21'-11"	20'-4"	19'-5"	-	24'-2"	22'-5"	21'-6"	-
	NI-80	23'-6"	21'-9"	20'-9"	-	25'-10"	23'-11"	22'-10"	-
	NI-90	23'-11"	22'-1"	21'-2"	-	26'-3"	24'-4"	23'-3"	-

Live load deflection limit of L/360

Joist depth	Joist series	Bare				Mid-span blocking			
		On centre spacing				On centre spacing			
		12"	16"	19.2"	24"	12"	16"	19.2"	24"
9-1/2"	NI-20	14'-11"	14'-1"	13'-7"	-	15'-10"	15'-0"	14'-6"	-
	NI-40x	15'-11"	15'-0"	14'-6"	-	16'-11"	16'-0"	15'-6"	-
	NI-60	16'-1"	15'-2"	14'-8"	-	17'-1"	16'-1"	15'-7"	-
	NI-80	17'-0"	16'-0"	15'-6"	-	18'-0"	17'-0"	16'-5"	-
11-7/8"	NI-20	16'-9"	15'-10"	15'-4"	-	17'-11"	17'-0"	16'-6"	-
	NI-40x	17'-10"	16'-10"	16'-3"	-	19'-5"	18'-0"	17'-5"	-
	NI-60	18'-1"	17'-0"	16'-5"	-	19'-8"	18'-3"	17'-7"	-
	NI-80	19'-5"	17'-11"	17'-4"	-	21'-0"	19'-6"	18'-8"	-
14"	NI-90	19'-10"	18'-4"	17'-7"	-	21'-5"	19'-11"	19'-0"	-
	NI-40x	19'-9"	18'-4"	17'-8"	-	21'-8"	20'-1"	19'-4"	-
	NI-60	20'-1"	18'-7"	17'-10"	-	22'-0"	20'-5"	19'-7"	-
	NI-80	21'-7"	19'-11"	19'-1"	-	23'-6"	21'-10"	20'-10"	-
16"	NI-90	22'-0"	20'-4"	19'-5"	-	24'-0"	22'-3"	21'-3"	-
	NI-60	21'-11"	20'-4"	19'-5"	-	24'-2"	22'-5"	21'-6"	-
	NI-80	23'-6"	21'-9"	20'-9"	-	25'-10"	23'-11"	22'-10"	-
	NI-90	23'-11"	22'-1"	21'-2"	-	26'-3"	24'-4"	23'-3"	-

Notes:

1. The tabulated clear spans are based on CSA O86:19 and NBC 2020, and are applicable to residential floor construction meeting the above design criteria.
2. The vibration-controlled span is determined using Clause A.5.4.5.2 b) of CSA O86:19.
3. For multiple-span applications, the end spans shall be 40% or more of the adjacent span.
4. Minimum bearing length shall be 1-3/4 inch for end bearings, and 3-1/2 inches for intermediate bearings.
5. Bearing stiffeners are not required when I-joists are used in accordance with this table, except as required for hangers.

Maximum Floor Spans – M1.2, Mid-span Blocking

Design Criteria

Spans:	Multiple spans
Loads:	Live load = 40 psf and dead load = 20 psf
Deflection limit:	L/240 under total load
Sheathing:	19/32 in. nailed-glued oriented strand board (OSB) sheathing

Maximum Floor Spans

Live load deflection limit of L/480

Joist depth	Joist series	Bare				Mid-span blocking			
		On centre spacing				On centre spacing			
		12"	16"	19.2"	24"	12"	16"	19.2"	24"
9-1/2"	NI-20	15'-5"	14'-7"	14'-2"	-	16'-5"	15'-7"	15'-1"	-
	NI-40x	16'-6"	15'-7"	15'-1"	-	17'-6"	16'-7"	16'-1"	-
	NI-60	16'-8"	15'-9"	15'-3"	-	17'-8"	16'-9"	16'-2"	-
	NI-80	17'-8"	16'-8"	16'-1"	-	18'-11"	17'-8"	17'-1"	-
11-7/8"	NI-20	17'-5"	16'-5"	15'-11"	-	18'-10"	17'-7"	17'-1"	-
	NI-40x	18'-9"	17'-6"	16'-11"	-	20'-4"	18'-11"	18'-2"	-
	NI-60	19'-0"	17'-8"	17'-1"	-	20'-7"	19'-2"	18'-4"	-
	NI-80	20'-5"	18'-11"	18'-1"	-	22'-1"	20'-6"	19'-7"	-
	NI-90	20'-10"	19'-3"	18'-5"	-	22'-6"	20'-11"	20'-0"	-
14"	NI-40x	20'-10"	19'-3"	18'-6"	-	22'-9"	21'-1"	20'-3"	-
	NI-60	21'-2"	19'-7"	18'-9"	-	23'-1"	21'-5"	20'-7"	-
	NI-80	22'-9"	21'-0"	20'-1"	-	24'-9"	22'-11"	21'-11"	-
	NI-90	23'-2"	21'-5"	20'-6"	-	25'-2"	23'-4"	22'-4"	-
16"	NI-60	23'-1"	21'-5"	20'-6"	-	25'-4"	23'-6"	22'-6"	-
	NI-80	24'-9"	22'-11"	21'-11"	-	27'-1"	25'-1"	24'-0"	-
	NI-90	25'-3"	23'-4"	22'-3"	-	27'-7"	25'-7"	24'-5"	-

Live load deflection limit of L/360

Joist depth	Joist series	Bare				Mid-span blocking			
		On centre spacing				On centre spacing			
		12"	16"	19.2"	24"	12"	16"	19.2"	24"
9-1/2"	NI-20	15'-5"	14'-7"	14'-2"	-	16'-5"	15'-7"	15'-1"	-
	NI-40x	16'-6"	15'-7"	15'-1"	-	17'-6"	16'-7"	16'-1"	-
	NI-60	16'-8"	15'-9"	15'-3"	-	17'-8"	16'-9"	16'-2"	-
	NI-80	17'-8"	16'-8"	16'-1"	-	18'-11"	17'-8"	17'-1"	-
11-7/8"	NI-20	17'-5"	16'-5"	15'-11"	-	18'-10"	17'-7"	17'-1"	-
	NI-40x	18'-9"	17'-6"	16'-11"	-	20'-4"	18'-11"	18'-2"	-
	NI-60	19'-0"	17'-8"	17'-1"	-	20'-7"	19'-2"	18'-4"	-
	NI-80	20'-5"	18'-11"	18'-1"	-	22'-1"	20'-6"	19'-7"	-
	NI-90	20'-10"	19'-3"	18'-5"	-	22'-6"	20'-11"	20'-0"	-
14"	NI-40x	20'-10"	19'-3"	18'-6"	-	22'-9"	21'-1"	20'-3"	-
	NI-60	21'-2"	19'-7"	18'-9"	-	23'-1"	21'-5"	20'-7"	-
	NI-80	22'-9"	21'-0"	20'-1"	-	24'-9"	22'-11"	21'-11"	-
	NI-90	23'-2"	21'-5"	20'-6"	-	25'-2"	23'-4"	22'-4"	-
16"	NI-60	23'-1"	21'-5"	20'-6"	-	25'-4"	23'-6"	22'-6"	-
	NI-80	24'-9"	22'-11"	21'-11"	-	27'-1"	25'-1"	24'-0"	-
	NI-90	25'-3"	23'-4"	22'-3"	-	27'-7"	25'-7"	24'-5"	-

Notes:

1. The tabulated clear spans are based on CSA O86:19 and NBC 2020, and are applicable to residential floor construction meeting the above design criteria.
2. The vibration-controlled span is determined using Clause A.5.4.5.2 b) of CSA O86:19.
3. For multiple-span applications, the end spans shall be 40% or more of the adjacent span.
4. Minimum bearing length shall be 1-3/4 inch for end bearings, and 3-1/2 inches for intermediate bearings.
5. Bearing stiffeners are not required when I-joists are used in accordance with this table, except as required for hangers.

Maximum Floor Spans – M2.1, Mid-span Blocking

Design Criteria

Spans:	Simple span
Loads:	Live load = 40 psf and dead load = 20 psf
Deflection limit:	L/240 under total load
Sheathing:	5/8 in. nailed-glued oriented strand board (OSB) sheathing

Maximum Floor Spans

Live load deflection limit of L/480

Joist depth	Joist series	Bare				Mid-span blocking			
		On centre spacing				On centre spacing			
		12"	16"	19.2"	24"	12"	16"	19.2"	24"
9-1/2"	NI-20	15'-1"	14'-3"	13'-10"	-	16'-1"	15'-2"	14'-5"	-
	NI-40x	16'-2"	15'-3"	14'-8"	-	17'-1"	16'-2"	15'-8"	-
	NI-60	16'-4"	15'-4"	14'-10"	-	17'-3"	16'-4"	15'-9"	-
	NI-80	17'-3"	16'-3"	15'-8"	-	18'-3"	17'-2"	16'-7"	-
11-7/8"	NI-20	17'-0"	16'-0"	15'-6"	-	18'-2"	17'-2"	16'-7"	-
	NI-40x	18'-2"	17'-1"	16'-6"	-	19'-8"	18'-3"	17'-7"	-
	NI-60	18'-5"	17'-3"	16'-8"	-	19'-11"	18'-6"	17'-9"	-
	NI-80	19'-9"	18'-3"	17'-7"	-	21'-4"	19'-9"	18'-11"	-
14"	NI-90	20'-2"	18'-8"	17'-10"	-	21'-9"	20'-2"	19'-3"	-
	NI-40x	20'-1"	18'-8"	17'-10"	-	21'-11"	20'-5"	19'-6"	-
	NI-60	20'-6"	18'-11"	18'-2"	-	22'-3"	20'-8"	19'-10"	-
	NI-80	21'-11"	20'-3"	19'-4"	-	23'-10"	22'-1"	21'-1"	-
16"	NI-90	22'-5"	20'-8"	19'-9"	-	24'-4"	22'-6"	21'-6"	-
	NI-60	22'-4"	20'-8"	19'-9"	-	24'-5"	22'-8"	21'-8"	-
	NI-80	23'-11"	22'-1"	21'-1"	-	26'-2"	24'-2"	23'-1"	-
	NI-90	24'-5"	22'-6"	21'-6"	-	26'-7"	24'-8"	23'-6"	-

Live load deflection limit of L/360

Joist depth	Joist series	Bare				Mid-span blocking			
		On centre spacing				On centre spacing			
		12"	16"	19.2"	24"	12"	16"	19.2"	24"
9-1/2"	NI-20	15'-1"	14'-3"	13'-10"	-	16'-1"	15'-2"	14'-6"	-
	NI-40x	16'-2"	15'-3"	14'-8"	-	17'-1"	16'-2"	15'-8"	-
	NI-60	16'-4"	15'-4"	14'-10"	-	17'-3"	16'-4"	15'-9"	-
	NI-80	17'-3"	16'-3"	15'-8"	-	18'-3"	17'-2"	16'-7"	-
11-7/8"	NI-20	17'-0"	16'-0"	15'-6"	-	18'-2"	17'-2"	16'-7"	-
	NI-40x	18'-2"	17'-1"	16'-6"	-	19'-8"	18'-3"	17'-7"	-
	NI-60	18'-5"	17'-3"	16'-8"	-	19'-11"	18'-6"	17'-9"	-
	NI-80	19'-9"	18'-3"	17'-7"	-	21'-4"	19'-9"	18'-11"	-
14"	NI-90	20'-2"	18'-8"	17'-10"	-	21'-9"	20'-2"	19'-3"	-
	NI-40x	20'-1"	18'-8"	17'-10"	-	21'-11"	20'-5"	19'-6"	-
	NI-60	20'-6"	18'-11"	18'-2"	-	22'-3"	20'-8"	19'-10"	-
	NI-80	21'-11"	20'-3"	19'-4"	-	23'-10"	22'-1"	21'-1"	-
16"	NI-90	22'-5"	20'-8"	19'-9"	-	24'-4"	22'-6"	21'-6"	-
	NI-60	22'-4"	20'-8"	19'-9"	-	24'-5"	22'-8"	21'-8"	-
	NI-80	23'-11"	22'-1"	21'-1"	-	26'-2"	24'-2"	23'-1"	-
	NI-90	24'-5"	22'-6"	21'-6"	-	26'-7"	24'-8"	23'-6"	-

Notes:

1. The tabulated clear spans are based on CSA O86:19 and NBC 2020, and are applicable to residential floor construction meeting the above design criteria.
2. The vibration-controlled span is determined using Clause A.5.4.5.2 b) of CSA O86:19.
3. For multiple-span applications, the end spans shall be 40% or more of the adjacent span.
4. Minimum bearing length shall be 1-3/4 inch for end bearings, and 3-1/2 inches for intermediate bearings.
5. Bearing stiffeners are not required when I-joists are used in accordance with this table, except as required for hangers.

Maximum Floor Spans – M2.2, Mid-span Blocking

Design Criteria

Spans:	Multiple spans
Loads:	Live load = 40 psf and dead load = 20 psf
Deflection limit:	L/240 under total load
Sheathing:	5/8 in. nailed-glued oriented strand board (OSB) sheathing

Maximum Floor Spans

Live load deflection limit of L/480

Joist depth	Joist series	Bare				Mid-span blocking			
		On centre spacing				On centre spacing			
		12"	16"	19.2"	24"	12"	16"	19.2"	24"
9-1/2"	NI-20	15'-8"	14'-10"	14'-4"	-	16'-8"	15'-9"	15'-3"	-
	NI-40x	16'-9"	15'-10"	15'-3"	-	17'-9"	16'-9"	16'-2"	-
	NI-60	16'-11"	16'-0"	15'-5"	-	17'-11"	16'-11"	16'-4"	-
	NI-80	18'-0"	16'-11"	16'-4"	-	19'-2"	17'-10"	17'-3"	-
11-7/8"	NI-20	17'-8"	16'-8"	16'-1"	-	19'-1"	17'-10"	17'-3"	-
	NI-40x	19'-1"	17'-9"	17'-2"	-	20'-7"	19'-2"	18'-4"	-
	NI-60	19'-4"	17'-11"	17'-4"	-	20'-11"	19'-5"	18'-7"	-
	NI-80	20'-10"	19'-3"	18'-4"	-	22'-4"	20'-9"	19'-10"	-
14"	NI-90	21'-3"	19'-8"	18'-9"	-	22'-10"	21'-2"	20'-3"	-
	NI-40x	21'-2"	19'-8"	18'-9"	-	23'-0"	21'-5"	20'-6"	-
	NI-60	21'-7"	19'-11"	19'-1"	-	23'-5"	21'-9"	20'-9"	-
	NI-80	23'-2"	21'-5"	20'-5"	-	25'-1"	23'-2"	22'-2"	-
16"	NI-90	23'-7"	21'-10"	20'-10"	-	25'-6"	23'-8"	22'-7"	-
	NI-60	23'-6"	21'-9"	20'-10"	-	25'-8"	23'-10"	22'-9"	-
	NI-80	25'-3"	23'-4"	22'-3"	-	27'-5"	25'-5"	24'-3"	-
	NI-90	25'-9"	23'-9"	22'-8"	-	27'-11"	25'-11"	24'-8"	-

Live load deflection limit of L/360

Joist depth	Joist series	Bare				Mid-span blocking			
		On centre spacing				On centre spacing			
		12"	16"	19.2"	24"	12"	16"	19.2"	24"
9-1/2"	NI-20	15'-8"	14'-10"	14'-4"	-	16'-8"	15'-9"	15'-3"	-
	NI-40x	16'-9"	15'-10"	15'-3"	-	17'-9"	16'-9"	16'-2"	-
	NI-60	16'-11"	16'-0"	15'-5"	-	17'-11"	16'-11"	16'-4"	-
	NI-80	18'-0"	16'-11"	16'-4"	-	19'-2"	17'-10"	17'-3"	-
11-7/8"	NI-20	17'-8"	16'-8"	16'-1"	-	19'-1"	17'-10"	17'-3"	-
	NI-40x	19'-1"	17'-9"	17'-2"	-	20'-7"	19'-2"	18'-4"	-
	NI-60	19'-4"	17'-11"	17'-4"	-	20'-11"	19'-5"	18'-7"	-
	NI-80	20'-10"	19'-3"	18'-4"	-	22'-4"	20'-9"	19'-10"	-
14"	NI-90	21'-3"	19'-8"	18'-9"	-	22'-10"	21'-2"	20'-3"	-
	NI-40x	21'-2"	19'-8"	18'-9"	-	23'-0"	21'-5"	20'-6"	-
	NI-60	21'-7"	19'-11"	19'-1"	-	23'-5"	21'-9"	20'-9"	-
	NI-80	23'-2"	21'-5"	20'-5"	-	25'-1"	23'-2"	22'-2"	-
16"	NI-90	23'-7"	21'-10"	20'-10"	-	25'-6"	23'-8"	22'-7"	-
	NI-60	23'-6"	21'-9"	20'-10"	-	25'-8"	23'-10"	22'-9"	-
	NI-80	25'-3"	23'-4"	22'-3"	-	27'-5"	25'-5"	24'-3"	-
	NI-90	25'-9"	23'-9"	22'-8"	-	27'-11"	25'-11"	24'-8"	-

Notes:

1. The tabulated clear spans are based on CSA O86:19 and NBC 2020, and are applicable to residential floor construction meeting the above design criteria.
2. The vibration-controlled span is determined using Clause A.5.4.5.2 b) of CSA O86:19.
3. For multiple-span applications, the end spans shall be 40% or more of the adjacent span.
4. Minimum bearing length shall be 1-3/4 inch for end bearings, and 3-1/2 inches for intermediate bearings.
5. Bearing stiffeners are not required when I-joists are used in accordance with this table, except as required for hangers.

Maximum Floor Spans – M3.1, Mid-span Blocking

Design Criteria

Spans:	Simple span
Loads:	Live load = 40 psf and dead load = 20 psf
Deflection limit:	L/240 under total load
Sheathing:	23/32 in. nailed-glued oriented strand board (OSB) sheathing

Maximum Floor Spans

Live load deflection limit of L/480

Joist depth	Joist series	Bare				Mid-span blocking			
		On centre spacing				On centre spacing			
		12"	16"	19.2"	24"	12"	16"	19.2"	24"
9-1/2"	NI-20	15'-9"	14'-10"	14'-4"	13'-5"	16'-7"	15'-4"	14'-6"	13'-5"
	NI-40x	16'-10"	15'-10"	15'-3"	14'-8"	17'-7"	16'-8"	16'-1"	14'-11"
	NI-60	16'-11"	16'-0"	15'-5"	14'-9"	17'-9"	16'-10"	16'-3"	15'-4"
	NI-80	18'-0"	16'-11"	16'-3"	15'-7"	19'-0"	17'-8"	17'-1"	16'-5"
11-7/8"	NI-20	17'-8"	16'-8"	16'-1"	15'-6"	18'-11"	17'-8"	17'-1"	16'-1"
	NI-40x	19'-1"	17'-9"	17'-1"	16'-5"	20'-5"	19'-0"	18'-1"	17'-0"
	NI-60	19'-4"	17'-11"	17'-3"	16'-7"	20'-8"	19'-2"	18'-4"	17'-7"
	NI-80	20'-9"	19'-2"	18'-3"	17'-5"	22'-1"	20'-6"	19'-7"	18'-7"
14"	NI-90	21'-2"	19'-7"	18'-8"	17'-9"	22'-7"	20'-11"	19'-11"	18'-11"
	NI-40x	21'-2"	19'-7"	18'-8"	17'-9"	22'-9"	21'-2"	20'-2"	18'-8"
	NI-60	21'-6"	19'-11"	19'-0"	18'-0"	23'-1"	21'-6"	20'-6"	19'-6"
	NI-80	23'-1"	21'-4"	20'-3"	19'-3"	24'-8"	22'-11"	21'-10"	20'-9"
16"	NI-90	23'-6"	21'-9"	20'-8"	19'-7"	25'-2"	23'-4"	22'-3"	21'-1"
	NI-60	23'-5"	21'-8"	20'-8"	19'-7"	25'-4"	23'-6"	22'-5"	21'-4"
	NI-80	25'-1"	23'-2"	22'-1"	20'-11"	27'-0"	25'-1"	23'-11"	22'-8"
	NI-90	25'-7"	23'-7"	22'-6"	21'-3"	27'-6"	25'-6"	24'-4"	23'-0"

Live load deflection limit of L/360

Joist depth	Joist series	Bare				Mid-span blocking			
		On centre spacing				On centre spacing			
		12"	16"	19.2"	24"	12"	16"	19.2"	24"
9-1/2"	NI-20	15'-9"	14'-10"	14'-4"	13'-5"	16'-7"	15'-5"	14'-6"	13'-5"
	NI-40x	16'-10"	15'-10"	15'-3"	14'-8"	17'-7"	16'-8"	16'-1"	14'-11"
	NI-60	16'-11"	16'-0"	15'-5"	14'-9"	17'-9"	16'-10"	16'-3"	15'-7"
	NI-80	18'-0"	16'-11"	16'-3"	15'-7"	19'-0"	17'-8"	17'-1"	16'-5"
11-7/8"	NI-20	17'-8"	16'-8"	16'-1"	15'-6"	18'-11"	17'-8"	17'-1"	16'-1"
	NI-40x	19'-1"	17'-9"	17'-1"	16'-5"	20'-5"	19'-0"	18'-1"	17'-0"
	NI-60	19'-4"	17'-11"	17'-3"	16'-7"	20'-8"	19'-2"	18'-4"	17'-7"
	NI-80	20'-9"	19'-2"	18'-3"	17'-5"	22'-1"	20'-6"	19'-7"	18'-7"
14"	NI-90	21'-2"	19'-7"	18'-8"	17'-9"	22'-7"	20'-11"	19'-11"	18'-11"
	NI-40x	21'-2"	19'-7"	18'-8"	17'-9"	22'-9"	21'-2"	20'-2"	18'-8"
	NI-60	21'-6"	19'-11"	19'-0"	18'-0"	23'-1"	21'-6"	20'-6"	19'-6"
	NI-80	23'-1"	21'-4"	20'-3"	19'-3"	24'-8"	22'-11"	21'-10"	20'-9"
16"	NI-90	23'-6"	21'-9"	20'-8"	19'-7"	25'-2"	23'-4"	22'-3"	21'-1"
	NI-60	23'-5"	21'-8"	20'-8"	19'-7"	25'-4"	23'-6"	22'-5"	21'-4"
	NI-80	25'-1"	23'-2"	22'-1"	20'-11"	27'-0"	25'-1"	23'-11"	22'-8"
	NI-90	25'-7"	23'-7"	22'-6"	21'-3"	27'-6"	25'-6"	24'-4"	23'-0"

Notes:

1. The tabulated clear spans are based on CSA O86:19 and NBC 2020, and are applicable to residential floor construction meeting the above design criteria.
2. The vibration-controlled span is determined using Clause A.5.4.5.2 b) of CSA O86:19.
3. For multiple-span applications, the end spans shall be 40% or more of the adjacent span.
4. Minimum bearing length shall be 1-3/4 inch for end bearings, and 3-1/2 inches for intermediate bearings.
5. Bearing stiffeners are not required when I-joists are used in accordance with this table, except as required for hangers.

Maximum Floor Spans – M3.2, Mid-span Blocking

Design Criteria

Spans:	Multiple spans
Loads:	Live load = 40 psf and dead load = 20 psf
Deflection limit:	L/240 under total load
Sheathing:	23/32 in. nailed-glued oriented strand board (OSB) sheathing

Maximum Floor Spans

Live load deflection limit of L/480

Joist depth	Joist series	Bare				Mid-span blocking			
		On centre spacing				On centre spacing			
		12"	16"	19.2"	24"	12"	16"	19.2"	24"
9-1/2"	NI-20	16'-4"	15'-5"	14'-11"	14'-0"	17'-2"	16'-3"	15'-8"	14'-0"
	NI-40x	17'-6"	16'-5"	15'-10"	14'-10"	18'-4"	17'-3"	16'-8"	14'-10"
	NI-60	17'-8"	16'-7"	16'-0"	15'-4"	18'-7"	17'-5"	16'-10"	16'-2"
	NI-80	18'-11"	17'-7"	16'-11"	16'-3"	19'-11"	18'-6"	17'-9"	17'-0"
11-7/8"	NI-20	18'-6"	17'-4"	16'-9"	16'-0"	19'-10"	18'-6"	17'-9"	16'-0"
	NI-40x	20'-1"	18'-7"	17'-9"	16'-11"	21'-5"	19'-11"	19'-0"	16'-11"
	NI-60	20'-4"	18'-10"	18'-0"	17'-3"	21'-8"	20'-2"	19'-3"	18'-4"
	NI-80	21'-10"	20'-2"	19'-3"	18'-3"	23'-3"	21'-6"	20'-7"	19'-6"
14"	NI-90	22'-4"	20'-7"	19'-7"	18'-7"	23'-8"	22'-0"	20'-11"	19'-11"
	NI-40x	22'-3"	20'-7"	19'-8"	18'-7"	23'-10"	22'-2"	20'-10"	18'-7"
	NI-60	22'-8"	20'-11"	20'-0"	18'-11"	24'-3"	22'-6"	21'-6"	20'-5"
	NI-80	24'-4"	22'-5"	21'-4"	20'-3"	25'-11"	24'-1"	22'-11"	21'-9"
16"	NI-90	24'-10"	22'-11"	21'-9"	20'-7"	26'-6"	24'-6"	23'-5"	22'-2"
	NI-60	24'-8"	22'-10"	21'-9"	20'-8"	26'-7"	24'-8"	23'-7"	22'-4"
	NI-80	26'-6"	24'-5"	23'-3"	22'-0"	28'-5"	26'-4"	25'-1"	23'-10"
	NI-90	27'-0"	24'-11"	23'-8"	22'-5"	28'-11"	26'-10"	25'-7"	24'-3"

Live load deflection limit of L/360

Joist depth	Joist series	Bare				Mid-span blocking			
		On centre spacing				On centre spacing			
		12"	16"	19.2"	24"	12"	16"	19.2"	24"
9-1/2"	NI-20	16'-4"	15'-5"	14'-11"	14'-0"	17'-2"	16'-3"	15'-8"	14'-0"
	NI-40x	17'-6"	16'-5"	15'-10"	14'-10"	18'-4"	17'-3"	16'-8"	14'-10"
	NI-60	17'-8"	16'-7"	16'-0"	15'-4"	18'-7"	17'-5"	16'-10"	16'-2"
	NI-80	18'-11"	17'-7"	16'-11"	16'-3"	19'-11"	18'-6"	17'-9"	17'-0"
11-7/8"	NI-20	18'-6"	17'-4"	16'-9"	16'-0"	19'-10"	18'-6"	17'-9"	16'-0"
	NI-40x	20'-1"	18'-7"	17'-9"	16'-11"	21'-5"	19'-11"	19'-0"	16'-11"
	NI-60	20'-4"	18'-10"	18'-0"	17'-3"	21'-8"	20'-2"	19'-3"	18'-4"
	NI-80	21'-10"	20'-2"	19'-3"	18'-3"	23'-3"	21'-6"	20'-7"	19'-6"
14"	NI-90	22'-4"	20'-7"	19'-7"	18'-7"	23'-8"	22'-0"	20'-11"	19'-11"
	NI-40x	22'-3"	20'-7"	19'-8"	18'-7"	23'-10"	22'-2"	20'-10"	18'-7"
	NI-60	22'-8"	20'-11"	20'-0"	18'-11"	24'-3"	22'-6"	21'-6"	20'-5"
	NI-80	24'-4"	22'-5"	21'-4"	20'-3"	25'-11"	24'-1"	22'-11"	21'-9"
16"	NI-90	24'-10"	22'-11"	21'-9"	20'-7"	26'-6"	24'-6"	23'-5"	22'-2"
	NI-60	24'-8"	22'-10"	21'-9"	20'-8"	26'-7"	24'-8"	23'-7"	22'-4"
	NI-80	26'-6"	24'-5"	23'-3"	22'-0"	28'-5"	26'-4"	25'-1"	23'-10"
	NI-90	27'-0"	24'-11"	23'-8"	22'-5"	28'-11"	26'-10"	25'-7"	24'-3"

Notes:

1. The tabulated clear spans are based on CSA O86:19 and NBC 2020, and are applicable to residential floor construction meeting the above design criteria.
2. The vibration-controlled span is determined using Clause A.5.4.5.2 b) of CSA O86:19.
3. For multiple-span applications, the end spans shall be 40% or more of the adjacent span.
4. Minimum bearing length shall be 1-3/4 inch for end bearings, and 3-1/2 inches for intermediate bearings.
5. Bearing stiffeners are not required when I-joists are used in accordance with this table, except as required for hangers.

Maximum Floor Spans – M4.1, Mid-span Blocking

Design Criteria

Spans:	Simple span
Loads:	Live load = 40 psf and dead load = 20 psf
Deflection limit:	L/240 under total load
Sheathing:	3/4 in. nailed-glued oriented strand board (OSB) sheathing

Maximum Floor Spans

Live load deflection limit of L/480

Joist depth	Joist series	Bare				Mid-span blocking			
		On centre spacing				On centre spacing			
		12"	16"	19.2"	24"	12"	16"	19.2"	24"
9-1/2"	NI-20	15'-11"	15'-0"	14'-6"	13'-5"	16'-8"	15'-5"	14'-6"	13'-5"
	NI-40x	17'-0"	16'-0"	15'-5"	14'-10"	17'-9"	16'-10"	16'-3"	14'-11"
	NI-60	17'-2"	16'-2"	15'-7"	14'-11"	17'-11"	16'-11"	16'-4"	15'-5"
	NI-80	18'-3"	17'-1"	16'-5"	15'-9"	19'-3"	17'-10"	17'-3"	16'-6"
11-7/8"	NI-20	17'-11"	16'-11"	16'-3"	15'-8"	19'-1"	17'-10"	17'-3"	16'-1"
	NI-40x	19'-4"	17'-11"	17'-3"	16'-7"	20'-7"	19'-2"	18'-4"	17'-0"
	NI-60	19'-7"	18'-2"	17'-6"	16'-9"	20'-11"	19'-5"	18'-7"	17'-8"
	NI-80	21'-1"	19'-6"	18'-6"	17'-7"	22'-4"	20'-9"	19'-9"	18'-9"
14"	NI-90	21'-6"	19'-10"	18'-11"	17'-11"	22'-10"	21'-2"	20'-2"	19'-1"
	NI-40x	21'-5"	19'-11"	18'-11"	18'-0"	23'-0"	21'-5"	20'-5"	18'-8"
	NI-60	21'-10"	20'-2"	19'-3"	18'-3"	23'-4"	21'-9"	20'-9"	19'-8"
	NI-80	23'-5"	21'-7"	20'-7"	19'-5"	25'-0"	23'-2"	22'-1"	20'-11"
16"	NI-90	23'-10"	22'-1"	21'-0"	19'-10"	25'-5"	23'-7"	22'-6"	21'-4"
	NI-60	23'-9"	22'-0"	21'-0"	19'-10"	25'-7"	23'-9"	22'-8"	21'-6"
	NI-80	25'-6"	23'-7"	22'-5"	21'-2"	27'-4"	25'-4"	24'-2"	22'-10"
	NI-90	26'-0"	24'-0"	22'-10"	21'-6"	27'-10"	25'-10"	24'-7"	23'-3"

Live load deflection limit of L/360

Joist depth	Joist series	Bare				Mid-span blocking			
		On centre spacing				On centre spacing			
		12"	16"	19.2"	24"	12"	16"	19.2"	24"
9-1/2"	NI-20	15'-11"	15'-0"	14'-6"	13'-5"	16'-8"	15'-5"	14'-6"	13'-5"
	NI-40x	17'-0"	16'-0"	15'-5"	14'-10"	17'-9"	16'-10"	16'-3"	14'-11"
	NI-60	17'-2"	16'-2"	15'-7"	14'-11"	17'-11"	16'-11"	16'-4"	15'-7"
	NI-80	18'-3"	17'-1"	16'-5"	15'-9"	19'-3"	17'-10"	17'-3"	16'-6"
11-7/8"	NI-20	17'-11"	16'-11"	16'-3"	15'-8"	19'-1"	17'-10"	17'-3"	16'-1"
	NI-40x	19'-4"	17'-11"	17'-3"	16'-7"	20'-7"	19'-2"	18'-4"	17'-0"
	NI-60	19'-7"	18'-2"	17'-6"	16'-9"	20'-11"	19'-5"	18'-7"	17'-8"
	NI-80	21'-1"	19'-6"	18'-6"	17'-7"	22'-4"	20'-9"	19'-9"	18'-9"
14"	NI-90	21'-6"	19'-10"	18'-11"	17'-11"	22'-10"	21'-2"	20'-2"	19'-1"
	NI-40x	21'-5"	19'-11"	18'-11"	18'-0"	23'-0"	21'-5"	20'-5"	18'-8"
	NI-60	21'-10"	20'-2"	19'-3"	18'-3"	23'-4"	21'-9"	20'-9"	19'-8"
	NI-80	23'-5"	21'-7"	20'-7"	19'-5"	25'-0"	23'-2"	22'-1"	20'-11"
16"	NI-90	23'-10"	22'-1"	21'-0"	19'-10"	25'-5"	23'-7"	22'-6"	21'-4"
	NI-60	23'-9"	22'-0"	21'-0"	19'-10"	25'-7"	23'-9"	22'-8"	21'-6"
	NI-80	25'-6"	23'-7"	22'-5"	21'-2"	27'-4"	25'-4"	24'-2"	22'-10"
	NI-90	26'-0"	24'-0"	22'-10"	21'-6"	27'-10"	25'-10"	24'-7"	23'-3"

Notes:

1. The tabulated clear spans are based on CSA O86:19 and NBC 2020, and are applicable to residential floor construction meeting the above design criteria.
2. The vibration-controlled span is determined using Clause A.5.4.5.2 b) of CSA O86:19.
3. For multiple-span applications, the end spans shall be 40% or more of the adjacent span.
4. Minimum bearing length shall be 1-3/4 inch for end bearings, and 3-1/2 inches for intermediate bearings.
5. Bearing stiffeners are not required when I-joists are used in accordance with this table, except as required for hangers.

Maximum Floor Spans – M4.2, Mid-span Blocking

Design Criteria

Spans:	Multiple spans
Loads:	Live load = 40 psf and dead load = 20 psf
Deflection limit:	L/240 under total load
Sheathing:	3/4 in. nailed-glued oriented strand board (OSB) sheathing

Maximum Floor Spans

Live load deflection limit of L/480

Joist depth	Joist series	Bare				Mid-span blocking				
		On centre spacing				On centre spacing				
		12"	16"	19.2"	24"	12"	16"	19.2"	24"	
9-1/2"	NI-20	16'-7"	15'-7"	15'-1"	14'-0"	17'-4"	16'-5"	15'-8"	14'-0"	
	NI-40x	17'-8"	16'-8"	16'-1"	14'-10"	18'-7"	17'-5"	16'-8"	14'-10"	
	NI-60	17'-10"	16'-10"	16'-2"	15'-6"	18'-10"	17'-7"	17'-0"	16'-4"	
	NI-80	19'-2"	17'-9"	17'-1"	16'-5"	20'-2"	18'-9"	17'-11"	17'-2"	
11-7/8"	NI-20	18'-10"	17'-7"	16'-11"	16'-0"	20'-0"	18'-8"	17'-10"	16'-0"	
	NI-40x	20'-4"	18'-11"	18'-0"	16'-11"	21'-8"	20'-2"	19'-0"	16'-11"	
	NI-60	20'-8"	19'-2"	18'-3"	17'-5"	21'-11"	20'-5"	19'-6"	18'-6"	
	NI-80	22'-2"	20'-6"	19'-6"	18'-6"	23'-6"	21'-10"	20'-9"	19'-8"	
14"	NI-90	22'-8"	20'-11"	19'-11"	18'-10"	23'-11"	22'-3"	21'-2"	20'-1"	
	NI-40x	22'-7"	20'-11"	19'-11"	18'-7"	24'-1"	22'-5"	20'-10"	18'-7"	
	NI-60	23'-0"	21'-3"	20'-3"	19'-2"	24'-6"	22'-10"	21'-9"	20'-8"	
	NI-80	24'-8"	22'-9"	21'-8"	20'-6"	26'-3"	24'-4"	23'-2"	22'-0"	
16"	NI-90	25'-2"	23'-3"	22'-1"	20'-11"	26'-9"	24'-10"	23'-8"	22'-5"	
	NI-60	25'-0"	23'-2"	22'-1"	20'-11"	26'-10"	25'-0"	23'-10"	22'-7"	
	NI-80	26'-10"	24'-10"	23'-7"	22'-4"	28'-9"	26'-8"	25'-5"	24'-0"	
		NI-90	27'-5"	25'-3"	24'-0"	22'-8"	29'-3"	27'-2"	25'-10"	24'-5"

Live load deflection limit of L/360

Joist depth	Joist series	Bare				Mid-span blocking				
		On centre spacing				On centre spacing				
		12"	16"	19.2"	24"	12"	16"	19.2"	24"	
9-1/2"	NI-20	16'-7"	15'-7"	15'-1"	14'-0"	17'-4"	16'-5"	15'-8"	14'-0"	
	NI-40x	17'-8"	16'-8"	16'-1"	14'-10"	18'-7"	17'-5"	16'-8"	14'-10"	
	NI-60	17'-10"	16'-10"	16'-2"	15'-6"	18'-10"	17'-7"	17'-0"	16'-4"	
	NI-80	19'-2"	17'-9"	17'-1"	16'-5"	20'-2"	18'-9"	17'-11"	17'-2"	
11-7/8"	NI-20	18'-10"	17'-7"	16'-11"	16'-0"	20'-0"	18'-8"	17'-10"	16'-0"	
	NI-40x	20'-4"	18'-11"	18'-0"	16'-11"	21'-8"	20'-2"	19'-0"	16'-11"	
	NI-60	20'-8"	19'-2"	18'-3"	17'-5"	21'-11"	20'-5"	19'-6"	18'-6"	
	NI-80	22'-2"	20'-6"	19'-6"	18'-6"	23'-6"	21'-10"	20'-9"	19'-8"	
14"	NI-90	22'-8"	20'-11"	19'-11"	18'-10"	23'-11"	22'-3"	21'-2"	20'-1"	
	NI-40x	22'-7"	20'-11"	19'-11"	18'-7"	24'-1"	22'-5"	20'-10"	18'-7"	
	NI-60	23'-0"	21'-3"	20'-3"	19'-2"	24'-6"	22'-10"	21'-9"	20'-8"	
	NI-80	24'-8"	22'-9"	21'-8"	20'-6"	26'-3"	24'-4"	23'-2"	22'-0"	
16"	NI-90	25'-2"	23'-3"	22'-1"	20'-11"	26'-9"	24'-10"	23'-8"	22'-5"	
	NI-60	25'-0"	23'-2"	22'-1"	20'-11"	26'-10"	25'-0"	23'-10"	22'-7"	
	NI-80	26'-10"	24'-10"	23'-7"	22'-4"	28'-9"	26'-8"	25'-5"	24'-0"	
		NI-90	27'-5"	25'-3"	24'-0"	22'-8"	29'-3"	27'-2"	25'-10"	24'-5"

Notes:

1. The tabulated clear spans are based on CSA O86:19 and NBC 2020, and are applicable to residential floor construction meeting the above design criteria.
2. The vibration-controlled span is determined using Clause A.5.4.5.2 b) of CSA O86:19.
3. For multiple-span applications, the end spans shall be 40% or more of the adjacent span.
4. Minimum bearing length shall be 1-3/4 inch for end bearings, and 3-1/2 inches for intermediate bearings.
5. Bearing stiffeners are not required when I-joists are used in accordance with this table, except as required for hangers.

Maximum Floor Spans – M5.1, Mid-span Blocking

Design Criteria

Spans:	Simple span
Loads:	Live load = 40 psf and dead load = 20 psf
Deflection limit:	L/240 under total load
Sheathing:	7/8 in. nailed-glued oriented strand board (OSB) sheathing

Maximum Floor Spans

Live load deflection limit of L/480

Joist depth	Joist series	Bare				Mid-span blocking			
		On centre spacing				On centre spacing			
		12"	16"	19.2"	24"	12"	16"	19.2"	24"
9-1/2"	NI-20	16'-8"	15'-5"	14'-6"	13'-5"	17'-0"	15'-5"	14'-6"	13'-5"
	NI-40x	17'-9"	16'-9"	16'-2"	14'-11"	18'-6"	17'-4"	16'-5"	14'-11"
	NI-60	17'-11"	16'-11"	16'-3"	15'-6"	18'-9"	17'-7"	16'-8"	15'-6"
	NI-80	19'-3"	17'-10"	17'-2"	16'-5"	20'-1"	18'-8"	17'-10"	17'-0"
11-7/8"	NI-20	18'-11"	17'-8"	17'-0"	16'-1"	19'-11"	18'-7"	17'-6"	16'-1"
	NI-40x	20'-5"	19'-0"	18'-1"	17'-0"	21'-6"	20'-0"	19'-0"	17'-0"
	NI-60	20'-8"	19'-3"	18'-4"	17'-5"	21'-9"	20'-4"	19'-4"	18'-4"
	NI-80	22'-2"	20'-7"	19'-7"	18'-5"	23'-3"	21'-8"	20'-8"	19'-6"
14"	NI-90	22'-8"	21'-0"	19'-11"	18'-9"	23'-9"	22'-1"	21'-1"	19'-10"
	NI-40x	22'-7"	21'-0"	20'-0"	18'-8"	23'-11"	22'-4"	20'-11"	18'-8"
	NI-60	23'-0"	21'-4"	20'-4"	19'-2"	24'-3"	22'-8"	21'-7"	20'-5"
	NI-80	24'-8"	22'-10"	21'-8"	20'-5"	26'-0"	24'-2"	23'-0"	21'-9"
16"	NI-90	25'-2"	23'-3"	22'-1"	20'-10"	26'-6"	24'-7"	23'-5"	22'-1"
	NI-60	25'-1"	23'-3"	22'-1"	20'-10"	26'-7"	24'-9"	23'-8"	22'-4"
	NI-80	26'-10"	24'-10"	23'-7"	22'-3"	28'-5"	26'-5"	25'-2"	23'-9"
	NI-90	27'-4"	25'-4"	24'-1"	22'-7"	28'-11"	26'-11"	25'-7"	24'-2"

Live load deflection limit of L/360

Joist depth	Joist series	Bare				Mid-span blocking			
		On centre spacing				On centre spacing			
		12"	16"	19.2"	24"	12"	16"	19.2"	24"
9-1/2"	NI-20	16'-8"	15'-5"	14'-6"	13'-5"	17'-1"	15'-5"	14'-6"	13'-5"
	NI-40x	17'-9"	16'-9"	16'-2"	14'-11"	18'-6"	17'-5"	16'-7"	14'-11"
	NI-60	17'-11"	16'-11"	16'-3"	15'-7"	18'-9"	17'-7"	16'-10"	15'-7"
	NI-80	19'-3"	17'-10"	17'-2"	16'-5"	20'-1"	18'-8"	17'-10"	17'-1"
11-7/8"	NI-20	18'-11"	17'-8"	17'-0"	16'-1"	19'-11"	18'-7"	17'-6"	16'-1"
	NI-40x	20'-5"	19'-0"	18'-1"	17'-0"	21'-6"	20'-0"	19'-0"	17'-0"
	NI-60	20'-8"	19'-3"	18'-4"	17'-5"	21'-9"	20'-4"	19'-4"	18'-4"
	NI-80	22'-2"	20'-7"	19'-7"	18'-5"	23'-3"	21'-8"	20'-8"	19'-6"
14"	NI-90	22'-8"	21'-0"	19'-11"	18'-9"	23'-9"	22'-1"	21'-1"	19'-10"
	NI-40x	22'-7"	21'-0"	20'-0"	18'-8"	23'-11"	22'-4"	20'-11"	18'-8"
	NI-60	23'-0"	21'-4"	20'-4"	19'-2"	24'-3"	22'-8"	21'-7"	20'-5"
	NI-80	24'-8"	22'-10"	21'-8"	20'-5"	26'-0"	24'-2"	23'-0"	21'-9"
16"	NI-90	25'-2"	23'-3"	22'-1"	20'-10"	26'-6"	24'-7"	23'-5"	22'-1"
	NI-60	25'-1"	23'-3"	22'-1"	20'-10"	26'-7"	24'-9"	23'-8"	22'-4"
	NI-80	26'-10"	24'-10"	23'-7"	22'-3"	28'-5"	26'-5"	25'-2"	23'-9"
	NI-90	27'-4"	25'-4"	24'-1"	22'-7"	28'-11"	26'-11"	25'-7"	24'-2"

Notes:

1. The tabulated clear spans are based on CSA O86:19 and NBC 2020, and are applicable to residential floor construction meeting the above design criteria.
2. The vibration-controlled span is determined using Clause A.5.4.5.2 b) of CSA O86:19.
3. For multiple-span applications, the end spans shall be 40% or more of the adjacent span.
4. Minimum bearing length shall be 1-3/4 inch for end bearings, and 3-1/2 inches for intermediate bearings.
5. Bearing stiffeners are not required when I-joists are used in accordance with this table, except as required for hangers.

Maximum Floor Spans – M5.2, Mid-span Blocking

Design Criteria

Spans:	Multiple spans
Loads:	Live load = 40 psf and dead load = 20 psf
Deflection limit:	L/240 under total load
Sheathing:	7/8 in. nailed-glued oriented strand board (OSB) sheathing

Maximum Floor Spans

Live load deflection limit of L/480

Joist depth	Joist series	Bare				Mid-span blocking			
		On centre spacing				On centre spacing			
		12"	16"	19.2"	24"	12"	16"	19.2"	24"
9-1/2"	NI-20	17'-4"	16'-4"	15'-8"	14'-0"	17'-11"	16'-10"	15'-8"	14'-0"
	NI-40x	18'-7"	17'-5"	16'-8"	14'-10"	19'-5"	18'-1"	16'-8"	14'-10"
	NI-60	18'-10"	17'-7"	16'-11"	16'-2"	19'-8"	18'-4"	17'-7"	16'-10"
	NI-80	20'-3"	18'-9"	17'-10"	17'-1"	21'-1"	19'-7"	18'-8"	17'-7"
11-7/8"	NI-20	19'-10"	18'-6"	17'-8"	16'-0"	20'-11"	19'-6"	17'-11"	16'-0"
	NI-40x	21'-6"	19'-11"	19'-0"	16'-11"	22'-6"	20'-10"	19'-0"	16'-11"
	NI-60	21'-9"	20'-3"	19'-3"	18'-2"	22'-10"	21'-4"	20'-4"	19'-3"
	NI-80	23'-4"	21'-8"	20'-7"	19'-5"	24'-5"	22'-9"	21'-8"	20'-6"
14"	NI-90	23'-10"	22'-1"	21'-0"	19'-9"	24'-11"	23'-3"	22'-1"	20'-10"
	NI-40x	23'-10"	22'-1"	20'-10"	18'-7"	25'-1"	22'-10"	20'-10"	18'-7"
	NI-60	24'-3"	22'-6"	21'-5"	20'-2"	25'-6"	23'-9"	22'-8"	21'-4"
	NI-80	26'-0"	24'-1"	22'-10"	21'-6"	27'-3"	25'-5"	24'-2"	22'-10"
16"	NI-90	26'-6"	24'-6"	23'-4"	21'-11"	27'-10"	25'-11"	24'-8"	23'-3"
	NI-60	26'-5"	24'-6"	23'-4"	21'-11"	27'-11"	26'-0"	24'-10"	23'-0"
	NI-80	28'-3"	26'-2"	24'-11"	23'-5"	29'-10"	27'-9"	26'-6"	24'-11"
NI-90	28'-10"	26'-8"	25'-4"	23'-10"	30'-4"	28'-3"	26'-11"	25'-5"	

Live load deflection limit of L/360

Joist depth	Joist series	Bare				Mid-span blocking			
		On centre spacing				On centre spacing			
		12"	16"	19.2"	24"	12"	16"	19.2"	24"
9-1/2"	NI-20	17'-4"	16'-4"	15'-8"	14'-0"	17'-11"	16'-10"	15'-8"	14'-0"
	NI-40x	18'-7"	17'-5"	16'-8"	14'-10"	19'-5"	18'-1"	16'-8"	14'-10"
	NI-60	18'-10"	17'-7"	16'-11"	16'-2"	19'-8"	18'-4"	17'-7"	16'-10"
	NI-80	20'-3"	18'-9"	17'-10"	17'-1"	21'-1"	19'-7"	18'-8"	17'-7"
11-7/8"	NI-20	19'-10"	18'-6"	17'-8"	16'-0"	20'-11"	19'-6"	17'-11"	16'-0"
	NI-40x	21'-6"	19'-11"	19'-0"	16'-11"	22'-6"	20'-10"	19'-0"	16'-11"
	NI-60	21'-9"	20'-3"	19'-3"	18'-2"	22'-10"	21'-4"	20'-4"	19'-3"
	NI-80	23'-4"	21'-8"	20'-7"	19'-5"	24'-5"	22'-9"	21'-8"	20'-6"
14"	NI-90	23'-10"	22'-1"	21'-0"	19'-9"	24'-11"	23'-3"	22'-1"	20'-10"
	NI-40x	23'-10"	22'-1"	20'-10"	18'-7"	25'-1"	22'-10"	20'-10"	18'-7"
	NI-60	24'-3"	22'-6"	21'-5"	20'-2"	25'-6"	23'-9"	22'-8"	21'-4"
	NI-80	26'-0"	24'-1"	22'-10"	21'-6"	27'-3"	25'-5"	24'-2"	22'-10"
16"	NI-90	26'-6"	24'-6"	23'-4"	21'-11"	27'-10"	25'-11"	24'-8"	23'-3"
	NI-60	26'-5"	24'-6"	23'-4"	21'-11"	27'-11"	26'-0"	24'-10"	23'-0"
	NI-80	28'-3"	26'-2"	24'-11"	23'-5"	29'-10"	27'-9"	26'-6"	24'-11"
NI-90	28'-10"	26'-8"	25'-4"	23'-10"	30'-4"	28'-3"	26'-11"	25'-5"	

Notes:

1. The tabulated clear spans are based on CSA O86:19 and NBC 2020, and are applicable to residential floor construction meeting the above design criteria.
2. The vibration-controlled span is determined using Clause A.5.4.5.2 b) of CSA O86:19.
3. For multiple-span applications, the end spans shall be 40% or more of the adjacent span.
4. Minimum bearing length shall be 1-3/4 inch for end bearings, and 3-1/2 inches for intermediate bearings.
5. Bearing stiffeners are not required when I-joists are used in accordance with this table, except as required for hangers.

Maximum Floor Spans – M6.1, Mid-span Blocking

Design Criteria

Spans:	Simple span
Loads:	Live load = 40 psf and dead load = 20 psf
Deflection limit:	L/240 under total load
Sheathing:	5/8 in. nailed-glued Canadian softwood plywood

Maximum Floor Spans

Live load deflection limit of L/480

Joist depth	Joist series	Bare				Mid-span blocking			
		On centre spacing				On centre spacing			
		12"	16"	19.2"	24"	12"	16"	19.2"	24"
9-1/2"	NI-20	14'-11"	14'-1"	13'-7"	-	15'-10"	15'-0"	14'-3"	-
	NI-40x	15'-11"	15'-0"	14'-6"	-	16'-11"	16'-0"	15'-6"	-
	NI-60	16'-1"	15'-2"	14'-8"	-	17'-1"	16'-1"	15'-7"	-
	NI-80	17'-1"	16'-1"	15'-6"	-	18'-1"	17'-0"	16'-5"	-
11-7/8"	NI-20	16'-9"	15'-10"	15'-4"	-	17'-11"	17'-0"	16'-5"	-
	NI-40x	17'-10"	16'-10"	16'-3"	-	19'-5"	18'-0"	17'-5"	-
	NI-60	18'-1"	17'-0"	16'-5"	-	19'-8"	18'-3"	17'-7"	-
	NI-80	19'-6"	18'-0"	17'-4"	-	21'-1"	19'-6"	18'-8"	-
14"	NI-90	19'-11"	18'-4"	17'-8"	-	21'-6"	19'-11"	19'-0"	-
	NI-40x	19'-10"	18'-4"	17'-8"	-	21'-8"	20'-1"	19'-3"	-
	NI-60	20'-2"	18'-8"	17'-11"	-	22'-0"	20'-5"	19'-7"	-
	NI-80	21'-8"	20'-0"	19'-1"	-	23'-7"	21'-10"	20'-11"	-
16"	NI-90	22'-1"	20'-5"	19'-6"	-	24'-1"	22'-3"	21'-3"	-
	NI-60	22'-0"	20'-4"	19'-6"	-	24'-2"	22'-5"	21'-5"	-
	NI-80	23'-7"	21'-10"	20'-10"	-	25'-10"	23'-11"	22'-10"	-
	NI-90	24'-1"	22'-2"	21'-2"	-	26'-4"	24'-4"	23'-3"	-

Live load deflection limit of L/360

Joist depth	Joist series	Bare				Mid-span blocking			
		On centre spacing				On centre spacing			
		12"	16"	19.2"	24"	12"	16"	19.2"	24"
9-1/2"	NI-20	14'-11"	14'-1"	13'-7"	-	15'-10"	15'-0"	14'-6"	-
	NI-40x	15'-11"	15'-0"	14'-6"	-	16'-11"	16'-0"	15'-6"	-
	NI-60	16'-1"	15'-2"	14'-8"	-	17'-1"	16'-1"	15'-7"	-
	NI-80	17'-1"	16'-1"	15'-6"	-	18'-1"	17'-0"	16'-5"	-
11-7/8"	NI-20	16'-9"	15'-10"	15'-4"	-	17'-11"	17'-0"	16'-5"	-
	NI-40x	17'-10"	16'-10"	16'-3"	-	19'-5"	18'-0"	17'-5"	-
	NI-60	18'-1"	17'-0"	16'-5"	-	19'-8"	18'-3"	17'-7"	-
	NI-80	19'-6"	18'-0"	17'-4"	-	21'-1"	19'-6"	18'-8"	-
14"	NI-90	19'-11"	18'-4"	17'-8"	-	21'-6"	19'-11"	19'-0"	-
	NI-40x	19'-10"	18'-4"	17'-8"	-	21'-8"	20'-1"	19'-3"	-
	NI-60	20'-2"	18'-8"	17'-11"	-	22'-0"	20'-5"	19'-7"	-
	NI-80	21'-8"	20'-0"	19'-1"	-	23'-7"	21'-10"	20'-11"	-
16"	NI-90	22'-1"	20'-5"	19'-6"	-	24'-1"	22'-3"	21'-3"	-
	NI-60	22'-0"	20'-4"	19'-6"	-	24'-2"	22'-5"	21'-5"	-
	NI-80	23'-7"	21'-10"	20'-10"	-	25'-10"	23'-11"	22'-10"	-
	NI-90	24'-1"	22'-2"	21'-2"	-	26'-4"	24'-4"	23'-3"	-

Notes:

1. The tabulated clear spans are based on CSA O86:19 and NBC 2020, and are applicable to residential floor construction meeting the above design criteria.
2. The vibration-controlled span is determined using Clause A.5.4.5.2 b) of CSA O86:19.
3. For multiple-span applications, the end spans shall be 40% or more of the adjacent span.
4. Minimum bearing length shall be 1-3/4 inch for end bearings, and 3-1/2 inches for intermediate bearings.
5. Bearing stiffeners are not required when I-joists are used in accordance with this table, except as required for hangers.

Maximum Floor Spans – M6.2, Mid-span Blocking

Design Criteria

Spans:	Multiple spans
Loads:	Live load = 40 psf and dead load = 20 psf
Deflection limit:	L/240 under total load
Sheathing:	5/8 in. nailed-glued Canadian softwood plywood

Maximum Floor Spans

Live load deflection limit of L/480

Joist depth	Joist series	Bare				Mid-span blocking			
		On centre spacing				On centre spacing			
		12"	16"	19.2"	24"	12"	16"	19.2"	24"
9-1/2"	NI-20	15'-6"	14'-7"	14'-2"	-	16'-5"	15'-7"	15'-1"	-
	NI-40x	16'-7"	15'-7"	15'-1"	-	17'-6"	16'-7"	16'-0"	-
	NI-60	16'-9"	15'-9"	15'-3"	-	17'-8"	16'-9"	16'-2"	-
	NI-80	17'-9"	16'-8"	16'-2"	-	19'-0"	17'-8"	17'-1"	-
11-7/8"	NI-20	17'-5"	16'-5"	15'-11"	-	18'-10"	17'-7"	17'-1"	-
	NI-40x	18'-10"	17'-6"	16'-11"	-	20'-4"	18'-11"	18'-1"	-
	NI-60	19'-1"	17'-9"	17'-1"	-	20'-7"	19'-2"	18'-4"	-
	NI-80	20'-6"	19'-0"	18'-2"	-	22'-1"	20'-6"	19'-7"	-
14"	NI-90	21'-0"	19'-4"	18'-6"	-	22'-7"	20'-11"	20'-0"	-
	NI-40x	20'-10"	19'-4"	18'-6"	-	22'-9"	21'-1"	20'-3"	-
	NI-60	21'-3"	19'-8"	18'-10"	-	23'-1"	21'-5"	20'-7"	-
	NI-80	22'-10"	21'-1"	20'-2"	-	24'-9"	22'-11"	21'-11"	-
16"	NI-90	23'-4"	21'-6"	20'-7"	-	25'-3"	23'-5"	22'-4"	-
	NI-60	23'-2"	21'-5"	20'-6"	-	25'-4"	23'-6"	22'-6"	-
	NI-80	24'-11"	23'-0"	21'-11"	-	27'-2"	25'-2"	24'-0"	-
	NI-90	25'-5"	23'-5"	22'-4"	-	27'-8"	25'-7"	24'-5"	-

Live load deflection limit of L/360

Joist depth	Joist series	Bare				Mid-span blocking			
		On centre spacing				On centre spacing			
		12"	16"	19.2"	24"	12"	16"	19.2"	24"
9-1/2"	NI-20	15'-6"	14'-7"	14'-2"	-	16'-5"	15'-7"	15'-1"	-
	NI-40x	16'-7"	15'-7"	15'-1"	-	17'-6"	16'-7"	16'-0"	-
	NI-60	16'-9"	15'-9"	15'-3"	-	17'-8"	16'-9"	16'-2"	-
	NI-80	17'-9"	16'-8"	16'-2"	-	19'-0"	17'-8"	17'-1"	-
11-7/8"	NI-20	17'-5"	16'-5"	15'-11"	-	18'-10"	17'-7"	17'-1"	-
	NI-40x	18'-10"	17'-6"	16'-11"	-	20'-4"	18'-11"	18'-1"	-
	NI-60	19'-1"	17'-9"	17'-1"	-	20'-7"	19'-2"	18'-4"	-
	NI-80	20'-6"	19'-0"	18'-2"	-	22'-1"	20'-6"	19'-7"	-
14"	NI-90	21'-0"	19'-4"	18'-6"	-	22'-7"	20'-11"	20'-0"	-
	NI-40x	20'-10"	19'-4"	18'-6"	-	22'-9"	21'-1"	20'-3"	-
	NI-60	21'-3"	19'-8"	18'-10"	-	23'-1"	21'-5"	20'-7"	-
	NI-80	22'-10"	21'-1"	20'-2"	-	24'-9"	22'-11"	21'-11"	-
16"	NI-90	23'-4"	21'-6"	20'-7"	-	25'-3"	23'-5"	22'-4"	-
	NI-60	23'-2"	21'-5"	20'-6"	-	25'-4"	23'-6"	22'-6"	-
	NI-80	24'-11"	23'-0"	21'-11"	-	27'-2"	25'-2"	24'-0"	-
	NI-90	25'-5"	23'-5"	22'-4"	-	27'-8"	25'-7"	24'-5"	-

Notes:

1. The tabulated clear spans are based on CSA O86:19 and NBC 2020, and are applicable to residential floor construction meeting the above design criteria.
2. The vibration-controlled span is determined using Clause A.5.4.5.2 b) of CSA O86:19.
3. For multiple-span applications, the end spans shall be 40% or more of the adjacent span.
4. Minimum bearing length shall be 1-3/4 inch for end bearings, and 3-1/2 inches for intermediate bearings.
5. Bearing stiffeners are not required when I-joists are used in accordance with this table, except as required for hangers.

Maximum Floor Spans – M7.1, Mid-span Blocking

Design Criteria

Spans:	Simple span
Loads:	Live load = 40 psf and dead load = 20 psf
Deflection limit:	L/240 under total load
Sheathing:	3/4 in. nailed-glued Canadian softwood plywood

Maximum Floor Spans

Live load deflection limit of L/480

Joist depth	Joist series	Bare				Mid-span blocking			
		On centre spacing				On centre spacing			
		12"	16"	19.2"	24"	12"	16"	19.2"	24"
9-1/2"	NI-20	15'-10"	15'-0"	14'-5"	13'-5"	16'-8"	15'-5"	14'-6"	13'-5"
	NI-40x	16'-11"	15'-11"	15'-4"	14'-9"	17'-8"	16'-9"	16'-2"	14'-11"
	NI-60	17'-1"	16'-1"	15'-6"	14'-10"	17'-10"	16'-11"	16'-4"	15'-5"
	NI-80	18'-1"	17'-0"	16'-4"	15'-8"	19'-2"	17'-10"	17'-2"	16'-6"
11-7/8"	NI-20	17'-10"	16'-10"	16'-2"	15'-7"	19'-0"	17'-9"	17'-2"	16'-1"
	NI-40x	19'-3"	17'-10"	17'-2"	16'-6"	20'-6"	19'-1"	18'-3"	17'-0"
	NI-60	19'-6"	18'-1"	17'-4"	16'-8"	20'-9"	19'-4"	18'-6"	17'-8"
	NI-80	20'-11"	19'-4"	18'-5"	17'-7"	22'-3"	20'-8"	19'-8"	18'-8"
	NI-90	21'-4"	19'-9"	18'-9"	17'-10"	22'-8"	21'-1"	20'-1"	19'-0"
14"	NI-40x	21'-4"	19'-9"	18'-10"	17'-11"	22'-10"	21'-3"	20'-4"	18'-8"
	NI-60	21'-8"	20'-1"	19'-2"	18'-2"	23'-3"	21'-7"	20'-7"	19'-7"
	NI-80	23'-3"	21'-6"	20'-5"	19'-4"	24'-10"	23'-1"	22'-0"	20'-10"
	NI-90	23'-9"	21'-11"	20'-10"	19'-8"	25'-4"	23'-6"	22'-5"	21'-2"
16"	NI-60	23'-7"	21'-10"	20'-10"	19'-9"	25'-5"	23'-8"	22'-7"	21'-5"
	NI-80	25'-4"	23'-5"	22'-3"	21'-1"	27'-2"	25'-3"	24'-1"	22'-9"
	NI-90	25'-10"	23'-10"	22'-8"	21'-5"	27'-8"	25'-8"	24'-6"	23'-2"

Live load deflection limit of L/360

Joist depth	Joist series	Bare				Mid-span blocking			
		On centre spacing				On centre spacing			
		12"	16"	19.2"	24"	12"	16"	19.2"	24"
9-1/2"	NI-20	15'-10"	15'-0"	14'-5"	13'-5"	16'-8"	15'-5"	14'-6"	13'-5"
	NI-40x	16'-11"	15'-11"	15'-4"	14'-9"	17'-8"	16'-9"	16'-2"	14'-11"
	NI-60	17'-1"	16'-1"	15'-6"	14'-10"	17'-10"	16'-11"	16'-4"	15'-7"
	NI-80	18'-1"	17'-0"	16'-4"	15'-8"	19'-2"	17'-10"	17'-2"	16'-6"
11-7/8"	NI-20	17'-10"	16'-10"	16'-2"	15'-7"	19'-0"	17'-9"	17'-2"	16'-1"
	NI-40x	19'-3"	17'-10"	17'-2"	16'-6"	20'-6"	19'-1"	18'-3"	17'-0"
	NI-60	19'-6"	18'-1"	17'-4"	16'-8"	20'-9"	19'-4"	18'-6"	17'-8"
	NI-80	20'-11"	19'-4"	18'-5"	17'-7"	22'-3"	20'-8"	19'-8"	18'-8"
	NI-90	21'-4"	19'-9"	18'-9"	17'-10"	22'-8"	21'-1"	20'-1"	19'-0"
14"	NI-40x	21'-4"	19'-9"	18'-10"	17'-11"	22'-10"	21'-3"	20'-4"	18'-8"
	NI-60	21'-8"	20'-1"	19'-2"	18'-2"	23'-3"	21'-7"	20'-7"	19'-7"
	NI-80	23'-3"	21'-6"	20'-5"	19'-4"	24'-10"	23'-1"	22'-0"	20'-10"
	NI-90	23'-9"	21'-11"	20'-10"	19'-8"	25'-4"	23'-6"	22'-5"	21'-2"
16"	NI-60	23'-7"	21'-10"	20'-10"	19'-9"	25'-5"	23'-8"	22'-7"	21'-5"
	NI-80	25'-4"	23'-5"	22'-3"	21'-1"	27'-2"	25'-3"	24'-1"	22'-9"
	NI-90	25'-10"	23'-10"	22'-8"	21'-5"	27'-8"	25'-8"	24'-6"	23'-2"

Notes:

1. The tabulated clear spans are based on CSA O86:19 and NBC 2020, and are applicable to residential floor construction meeting the above design criteria.
2. The vibration-controlled span is determined using Clause A.5.4.5.2 b) of CSA O86:19.
3. For multiple-span applications, the end spans shall be 40% or more of the adjacent span.
4. Minimum bearing length shall be 1-3/4 inch for end bearings, and 3-1/2 inches for intermediate bearings.
5. Bearing stiffeners are not required when I-joists are used in accordance with this table, except as required for hangers.

Maximum Floor Spans – M7.2, Mid-span Blocking

Design Criteria

Spans:	Multiple spans
Loads:	Live load = 40 psf and dead load = 20 psf
Deflection limit:	L/240 under total load
Sheathing:	3/4 in. nailed-glued Canadian softwood plywood

Maximum Floor Spans

Live load deflection limit of L/480

Joist depth	Joist series	Bare				Mid-span blocking			
		On centre spacing				On centre spacing			
		12"	16"	19.2"	24"	12"	16"	19.2"	24"
9-1/2"	NI-20	16'-5"	15'-7"	15'-0"	14'-0"	17'-3"	16'-4"	15'-8"	14'-0"
	NI-40x	17'-7"	16'-7"	16'-0"	14'-10"	18'-6"	17'-4"	16'-8"	14'-10"
	NI-60	17'-9"	16'-9"	16'-1"	15'-6"	18'-9"	17'-6"	16'-11"	16'-3"
	NI-80	19'-1"	17'-8"	17'-0"	16'-4"	20'-1"	18'-8"	17'-10"	17'-1"
11-7/8"	NI-20	18'-8"	17'-6"	16'-10"	16'-0"	19'-11"	18'-7"	17'-10"	16'-0"
	NI-40x	20'-3"	18'-9"	17'-11"	16'-11"	21'-6"	20'-0"	19'-0"	16'-11"
	NI-60	20'-6"	19'-0"	18'-2"	17'-4"	21'-10"	20'-3"	19'-4"	18'-5"
	NI-80	22'-0"	20'-4"	19'-5"	18'-4"	23'-4"	21'-8"	20'-8"	19'-7"
14"	NI-90	22'-6"	20'-9"	19'-9"	18'-9"	23'-10"	22'-1"	21'-1"	20'-0"
	NI-40x	22'-5"	20'-9"	19'-10"	18'-7"	24'-0"	22'-4"	20'-10"	18'-7"
	NI-60	22'-10"	21'-2"	20'-2"	19'-1"	24'-5"	22'-8"	21'-8"	20'-7"
	NI-80	24'-6"	22'-8"	21'-6"	20'-5"	26'-1"	24'-3"	23'-1"	21'-11"
16"	NI-90	25'-0"	23'-1"	21'-11"	20'-9"	26'-7"	24'-8"	23'-6"	22'-3"
	NI-60	24'-11"	23'-0"	21'-11"	20'-9"	26'-9"	24'-10"	23'-8"	22'-6"
	NI-80	26'-8"	24'-8"	23'-5"	22'-2"	28'-7"	26'-6"	25'-3"	23'-11"
NI-90	27'-2"	25'-1"	23'-11"	22'-7"	29'-1"	27'-0"	25'-9"	24'-4"	

Live load deflection limit of L/360

Joist depth	Joist series	Bare				Mid-span blocking			
		On centre spacing				On centre spacing			
		12"	16"	19.2"	24"	12"	16"	19.2"	24"
9-1/2"	NI-20	16'-5"	15'-7"	15'-0"	14'-0"	17'-3"	16'-4"	15'-8"	14'-0"
	NI-40x	17'-7"	16'-7"	16'-0"	14'-10"	18'-6"	17'-4"	16'-8"	14'-10"
	NI-60	17'-9"	16'-9"	16'-1"	15'-6"	18'-9"	17'-6"	16'-11"	16'-3"
	NI-80	19'-1"	17'-8"	17'-0"	16'-4"	20'-1"	18'-8"	17'-10"	17'-1"
11-7/8"	NI-20	18'-8"	17'-6"	16'-10"	16'-0"	19'-11"	18'-7"	17'-10"	16'-0"
	NI-40x	20'-3"	18'-9"	17'-11"	16'-11"	21'-6"	20'-0"	19'-0"	16'-11"
	NI-60	20'-6"	19'-0"	18'-2"	17'-4"	21'-10"	20'-3"	19'-4"	18'-5"
	NI-80	22'-0"	20'-4"	19'-5"	18'-4"	23'-4"	21'-8"	20'-8"	19'-7"
14"	NI-90	22'-6"	20'-9"	19'-9"	18'-9"	23'-10"	22'-1"	21'-1"	20'-0"
	NI-40x	22'-5"	20'-9"	19'-10"	18'-7"	24'-0"	22'-4"	20'-10"	18'-7"
	NI-60	22'-10"	21'-2"	20'-2"	19'-1"	24'-5"	22'-8"	21'-8"	20'-7"
	NI-80	24'-6"	22'-8"	21'-6"	20'-5"	26'-1"	24'-3"	23'-1"	21'-11"
16"	NI-90	25'-0"	23'-1"	21'-11"	20'-9"	26'-7"	24'-8"	23'-6"	22'-3"
	NI-60	24'-11"	23'-0"	21'-11"	20'-9"	26'-9"	24'-10"	23'-8"	22'-6"
	NI-80	26'-8"	24'-8"	23'-5"	22'-2"	28'-7"	26'-6"	25'-3"	23'-11"
NI-90	27'-2"	25'-1"	23'-11"	22'-7"	29'-1"	27'-0"	25'-9"	24'-4"	

Notes:

1. The tabulated clear spans are based on CSA O86:19 and NBC 2020, and are applicable to residential floor construction meeting the above design criteria.
2. The vibration-controlled span is determined using Clause A.5.4.5.2 b) of CSA O86:19.
3. For multiple-span applications, the end spans shall be 40% or more of the adjacent span.
4. Minimum bearing length shall be 1-3/4 inch for end bearings, and 3-1/2 inches for intermediate bearings.
5. Bearing stiffeners are not required when I-joists are used in accordance with this table, except as required for hangers.

Maximum Floor Spans – H1.1, Mid-span Blocking

Design Criteria

Spans:	Simple span
Loads:	Live load = 40 psf and dead load = 35 psf
Deflection limit:	L/240 under total load
Sheathing:	19/32 in. nailed-glued oriented strand board (OSB) sheathing

Maximum Floor Spans

Live load deflection limit of L/480

Joist depth	Joist series	Bare				Mid-span blocking			
		On centre spacing				On centre spacing			
		12"	16"	19.2"	24"	12"	16"	19.2"	24"
9-1/2"	NI-20	14'-11"	14'-1"	13'-7"	-	15'-10"	15'-0"	14'-3"	-
	NI-40x	15'-11"	15'-0"	14'-6"	-	16'-11"	16'-0"	15'-1"	-
	NI-60	16'-1"	15'-2"	14'-8"	-	17'-1"	16'-1"	15'-7"	-
	NI-80	17'-0"	16'-0"	15'-6"	-	18'-0"	17'-0"	16'-5"	-
11-7/8"	NI-20	16'-9"	15'-10"	15'-4"	-	17'-11"	17'-0"	16'-3"	-
	NI-40x	17'-10"	16'-10"	16'-3"	-	19'-5"	18'-0"	17'-3"	-
	NI-60	18'-1"	17'-0"	16'-5"	-	19'-8"	18'-3"	17'-7"	-
	NI-80	19'-5"	17'-11"	17'-4"	-	21'-0"	19'-6"	18'-8"	-
	NI-90	19'-10"	18'-4"	17'-7"	-	21'-5"	19'-11"	19'-0"	-
14"	NI-40x	19'-9"	18'-4"	17'-8"	-	21'-8"	20'-1"	18'-11"	-
	NI-60	20'-1"	18'-7"	17'-10"	-	22'-0"	20'-5"	19'-7"	-
	NI-80	21'-7"	19'-11"	19'-1"	-	23'-6"	21'-10"	20'-10"	-
	NI-90	22'-0"	20'-4"	19'-5"	-	24'-0"	22'-3"	21'-3"	-
16"	NI-60	21'-11"	20'-4"	19'-5"	-	24'-2"	22'-5"	21'-6"	-
	NI-80	23'-6"	21'-9"	20'-9"	-	25'-10"	23'-11"	22'-10"	-
	NI-90	23'-11"	22'-1"	21'-2"	-	26'-3"	24'-4"	23'-3"	-

Live load deflection limit of L/360

Joist depth	Joist series	Bare				Mid-span blocking			
		On centre spacing				On centre spacing			
		12"	16"	19.2"	24"	12"	16"	19.2"	24"
9-1/2"	NI-20	14'-11"	14'-1"	13'-7"	-	15'-10"	15'-0"	14'-3"	-
	NI-40x	15'-11"	15'-0"	14'-6"	-	16'-11"	16'-0"	15'-1"	-
	NI-60	16'-1"	15'-2"	14'-8"	-	17'-1"	16'-1"	15'-7"	-
	NI-80	17'-0"	16'-0"	15'-6"	-	18'-0"	17'-0"	16'-5"	-
11-7/8"	NI-20	16'-9"	15'-10"	15'-4"	-	17'-11"	17'-0"	16'-3"	-
	NI-40x	17'-10"	16'-10"	16'-3"	-	19'-5"	18'-0"	17'-3"	-
	NI-60	18'-1"	17'-0"	16'-5"	-	19'-8"	18'-3"	17'-7"	-
	NI-80	19'-5"	17'-11"	17'-4"	-	21'-0"	19'-6"	18'-8"	-
	NI-90	19'-10"	18'-4"	17'-7"	-	21'-5"	19'-11"	19'-0"	-
14"	NI-40x	19'-9"	18'-4"	17'-8"	-	21'-8"	20'-1"	18'-11"	-
	NI-60	20'-1"	18'-7"	17'-10"	-	22'-0"	20'-5"	19'-7"	-
	NI-80	21'-7"	19'-11"	19'-1"	-	23'-6"	21'-10"	20'-10"	-
	NI-90	22'-0"	20'-4"	19'-5"	-	24'-0"	22'-3"	21'-3"	-
16"	NI-60	21'-11"	20'-4"	19'-5"	-	24'-2"	22'-5"	21'-6"	-
	NI-80	23'-6"	21'-9"	20'-9"	-	25'-10"	23'-11"	22'-10"	-
	NI-90	23'-11"	22'-1"	21'-2"	-	26'-3"	24'-4"	23'-3"	-

Notes:

1. The tabulated clear spans are based on CSA O86:19 and NBC 2020, and are applicable to residential floor construction meeting the above design criteria.
2. The vibration-controlled span is determined using Clause A.5.4.5.2 b) of CSA O86:19.
3. For multiple-span applications, the end spans shall be 40% or more of the adjacent span.
4. Minimum bearing length shall be 1-3/4 inch for end bearings, and 3-1/2 inches for intermediate bearings.
5. Bearing stiffeners are not required when I-joists are used in accordance with this table, except as required for hangers.

Maximum Floor Spans – H1.2, Mid-span Blocking

Design Criteria

Spans:	Multiple spans
Loads:	Live load = 40 psf and dead load = 35 psf
Deflection limit:	L/240 under total load
Sheathing:	19/32 in. nailed-glued oriented strand board (OSB) sheathing

Maximum Floor Spans

Live load deflection limit of L/480

Joist depth	Joist series	Bare				Mid-span blocking			
		On centre spacing				On centre spacing			
		12"	16"	19.2"	24"	12"	16"	19.2"	24"
9-1/2"	NI-20	15'-5"	14'-7"	14'-2"	-	16'-5"	15'-7"	14'-2"	-
	NI-40x	16'-6"	15'-7"	15'-0"	-	17'-6"	16'-6"	15'-0"	-
	NI-60	16'-8"	15'-9"	15'-3"	-	17'-8"	16'-9"	16'-2"	-
	NI-80	17'-8"	16'-8"	16'-1"	-	18'-11"	17'-8"	17'-1"	-
11-7/8"	NI-20	17'-5"	16'-5"	15'-11"	-	18'-10"	17'-7"	16'-2"	-
	NI-40x	18'-9"	17'-6"	16'-11"	-	20'-4"	18'-10"	17'-2"	-
	NI-60	19'-0"	17'-8"	17'-1"	-	20'-7"	19'-2"	18'-4"	-
	NI-80	20'-5"	18'-11"	18'-1"	-	22'-1"	20'-6"	19'-7"	-
	NI-90	20'-10"	19'-3"	18'-5"	-	22'-6"	20'-11"	20'-0"	-
14"	NI-40x	20'-10"	19'-3"	18'-6"	-	22'-9"	20'-8"	18'-10"	-
	NI-60	21'-2"	19'-7"	18'-9"	-	23'-1"	21'-5"	20'-7"	-
	NI-80	22'-9"	21'-0"	20'-1"	-	24'-9"	22'-11"	21'-11"	-
	NI-90	23'-2"	21'-5"	20'-6"	-	25'-2"	23'-4"	22'-4"	-
16"	NI-60	23'-1"	21'-5"	20'-6"	-	25'-4"	23'-6"	22'-6"	-
	NI-80	24'-9"	22'-11"	21'-11"	-	27'-1"	25'-1"	24'-0"	-
	NI-90	25'-3"	23'-4"	22'-3"	-	27'-7"	25'-7"	24'-5"	-

Live load deflection limit of L/360

Joist depth	Joist series	Bare				Mid-span blocking			
		On centre spacing				On centre spacing			
		12"	16"	19.2"	24"	12"	16"	19.2"	24"
9-1/2"	NI-20	15'-5"	14'-7"	14'-2"	-	16'-5"	15'-7"	14'-2"	-
	NI-40x	16'-6"	15'-7"	15'-0"	-	17'-6"	16'-6"	15'-0"	-
	NI-60	16'-8"	15'-9"	15'-3"	-	17'-8"	16'-9"	16'-2"	-
	NI-80	17'-8"	16'-8"	16'-1"	-	18'-11"	17'-8"	17'-1"	-
11-7/8"	NI-20	17'-5"	16'-5"	15'-11"	-	18'-10"	17'-7"	16'-2"	-
	NI-40x	18'-9"	17'-6"	16'-11"	-	20'-4"	18'-10"	17'-2"	-
	NI-60	19'-0"	17'-8"	17'-1"	-	20'-7"	19'-2"	18'-4"	-
	NI-80	20'-5"	18'-11"	18'-1"	-	22'-1"	20'-6"	19'-7"	-
	NI-90	20'-10"	19'-3"	18'-5"	-	22'-6"	20'-11"	20'-0"	-
14"	NI-40x	20'-10"	19'-3"	18'-6"	-	22'-9"	20'-8"	18'-10"	-
	NI-60	21'-2"	19'-7"	18'-9"	-	23'-1"	21'-5"	20'-7"	-
	NI-80	22'-9"	21'-0"	20'-1"	-	24'-9"	22'-11"	21'-11"	-
	NI-90	23'-2"	21'-5"	20'-6"	-	25'-2"	23'-4"	22'-4"	-
16"	NI-60	23'-1"	21'-5"	20'-6"	-	25'-4"	23'-6"	22'-6"	-
	NI-80	24'-9"	22'-11"	21'-11"	-	27'-1"	25'-1"	24'-0"	-
	NI-90	25'-3"	23'-4"	22'-3"	-	27'-7"	25'-7"	24'-5"	-

Notes:

1. The tabulated clear spans are based on CSA O86:19 and NBC 2020, and are applicable to residential floor construction meeting the above design criteria.
2. The vibration-controlled span is determined using Clause A.5.4.5.2 b) of CSA O86:19.
3. For multiple-span applications, the end spans shall be 40% or more of the adjacent span.
4. Minimum bearing length shall be 1-3/4 inch for end bearings, and 3-1/2 inches for intermediate bearings.
5. Bearing stiffeners are not required when I-joists are used in accordance with this table, except as required for hangers.

Maximum Floor Spans – H2.1, Mid-span Blocking

Design Criteria

Spans:	Simple span
Loads:	Live load = 40 psf and dead load = 35 psf
Deflection limit:	L/240 under total load
Sheathing:	5/8 in. nailed-glued oriented strand board (OSB) sheathing

Maximum Floor Spans

Live load deflection limit of L/480

Joist depth	Joist series	Bare				Mid-span blocking			
		On centre spacing				On centre spacing			
		12"	16"	19.2"	24"	12"	16"	19.2"	24"
9-1/2"	NI-20	15'-1"	14'-3"	13'-10"	-	16'-1"	15'-2"	14'-3"	-
	NI-40x	16'-2"	15'-3"	14'-8"	-	17'-1"	16'-2"	15'-1"	-
	NI-60	16'-4"	15'-4"	14'-10"	-	17'-3"	16'-4"	15'-9"	-
	NI-80	17'-3"	16'-3"	15'-8"	-	18'-3"	17'-2"	16'-7"	-
11-7/8"	NI-20	17'-0"	16'-0"	15'-6"	-	18'-2"	17'-2"	16'-3"	-
	NI-40x	18'-2"	17'-1"	16'-6"	-	19'-8"	18'-3"	17'-3"	-
	NI-60	18'-5"	17'-3"	16'-8"	-	19'-11"	18'-6"	17'-9"	-
	NI-80	19'-9"	18'-3"	17'-7"	-	21'-4"	19'-9"	18'-11"	-
14"	NI-90	20'-2"	18'-8"	17'-10"	-	21'-9"	20'-2"	19'-3"	-
	NI-40x	20'-1"	18'-8"	17'-10"	-	21'-11"	20'-5"	18'-11"	-
	NI-60	20'-6"	18'-11"	18'-2"	-	22'-3"	20'-8"	19'-10"	-
	NI-80	21'-11"	20'-3"	19'-4"	-	23'-10"	22'-1"	21'-1"	-
16"	NI-90	22'-5"	20'-8"	19'-9"	-	24'-4"	22'-6"	21'-6"	-
	NI-60	22'-4"	20'-8"	19'-9"	-	24'-5"	22'-8"	21'-8"	-
	NI-80	23'-11"	22'-1"	21'-1"	-	26'-2"	24'-2"	23'-1"	-
	NI-90	24'-5"	22'-6"	21'-6"	-	26'-7"	24'-8"	23'-6"	-

Live load deflection limit of L/360

Joist depth	Joist series	Bare				Mid-span blocking			
		On centre spacing				On centre spacing			
		12"	16"	19.2"	24"	12"	16"	19.2"	24"
9-1/2"	NI-20	15'-1"	14'-3"	13'-10"	-	16'-1"	15'-2"	14'-3"	-
	NI-40x	16'-2"	15'-3"	14'-8"	-	17'-1"	16'-2"	15'-1"	-
	NI-60	16'-4"	15'-4"	14'-10"	-	17'-3"	16'-4"	15'-9"	-
	NI-80	17'-3"	16'-3"	15'-8"	-	18'-3"	17'-2"	16'-7"	-
11-7/8"	NI-20	17'-0"	16'-0"	15'-6"	-	18'-2"	17'-2"	16'-3"	-
	NI-40x	18'-2"	17'-1"	16'-6"	-	19'-8"	18'-3"	17'-3"	-
	NI-60	18'-5"	17'-3"	16'-8"	-	19'-11"	18'-6"	17'-9"	-
	NI-80	19'-9"	18'-3"	17'-7"	-	21'-4"	19'-9"	18'-11"	-
14"	NI-90	20'-2"	18'-8"	17'-10"	-	21'-9"	20'-2"	19'-3"	-
	NI-40x	20'-1"	18'-8"	17'-10"	-	21'-11"	20'-5"	18'-11"	-
	NI-60	20'-6"	18'-11"	18'-2"	-	22'-3"	20'-8"	19'-10"	-
	NI-80	21'-11"	20'-3"	19'-4"	-	23'-10"	22'-1"	21'-1"	-
16"	NI-90	22'-5"	20'-8"	19'-9"	-	24'-4"	22'-6"	21'-6"	-
	NI-60	22'-4"	20'-8"	19'-9"	-	24'-5"	22'-8"	21'-8"	-
	NI-80	23'-11"	22'-1"	21'-1"	-	26'-2"	24'-2"	23'-1"	-
	NI-90	24'-5"	22'-6"	21'-6"	-	26'-7"	24'-8"	23'-6"	-

Notes:

1. The tabulated clear spans are based on CSA O86:19 and NBC 2020, and are applicable to residential floor construction meeting the above design criteria.
2. The vibration-controlled span is determined using Clause A.5.4.5.2 b) of CSA O86:19.
3. For multiple-span applications, the end spans shall be 40% or more of the adjacent span.
4. Minimum bearing length shall be 1-3/4 inch for end bearings, and 3-1/2 inches for intermediate bearings.
5. Bearing stiffeners are not required when I-joists are used in accordance with this table, except as required for hangers.

Maximum Floor Spans – H2.2, Mid-span Blocking

Design Criteria

Spans:	Multiple spans
Loads:	Live load = 40 psf and dead load = 35 psf
Deflection limit:	L/240 under total load
Sheathing:	5/8 in. nailed-glued oriented strand board (OSB) sheathing

Maximum Floor Spans

Live load deflection limit of L/480

Joist depth	Joist series	Bare				Mid-span blocking			
		On centre spacing				On centre spacing			
		12"	16"	19.2"	24"	12"	16"	19.2"	24"
9-1/2"	NI-20	15'-8"	14'-10"	14'-2"	-	16'-8"	15'-7"	14'-2"	-
	NI-40x	16'-9"	15'-10"	15'-0"	-	17'-9"	16'-6"	15'-0"	-
	NI-60	16'-11"	16'-0"	15'-5"	-	17'-11"	16'-11"	16'-4"	-
	NI-80	18'-0"	16'-11"	16'-4"	-	19'-2"	17'-10"	17'-3"	-
11-7/8"	NI-20	17'-8"	16'-8"	16'-1"	-	19'-1"	17'-9"	16'-2"	-
	NI-40x	19'-1"	17'-9"	17'-2"	-	20'-7"	18'-10"	17'-2"	-
	NI-60	19'-4"	17'-11"	17'-4"	-	20'-11"	19'-5"	18'-7"	-
	NI-80	20'-10"	19'-3"	18'-4"	-	22'-4"	20'-9"	19'-10"	-
	NI-90	21'-3"	19'-8"	18'-9"	-	22'-10"	21'-2"	20'-3"	-
14"	NI-40x	21'-2"	19'-8"	18'-9"	-	23'-0"	20'-8"	18'-10"	-
	NI-60	21'-7"	19'-11"	19'-1"	-	23'-5"	21'-9"	20'-9"	-
	NI-80	23'-2"	21'-5"	20'-5"	-	25'-1"	23'-2"	22'-2"	-
	NI-90	23'-7"	21'-10"	20'-10"	-	25'-6"	23'-8"	22'-7"	-
16"	NI-60	23'-6"	21'-9"	20'-10"	-	25'-8"	23'-10"	22'-9"	-
	NI-80	25'-3"	23'-4"	22'-3"	-	27'-5"	25'-5"	24'-3"	-
	NI-90	25'-9"	23'-9"	22'-8"	-	27'-11"	25'-11"	24'-8"	-

Live load deflection limit of L/360

Joist depth	Joist series	Bare				Mid-span blocking			
		On centre spacing				On centre spacing			
		12"	16"	19.2"	24"	12"	16"	19.2"	24"
9-1/2"	NI-20	15'-8"	14'-10"	14'-2"	-	16'-8"	15'-7"	14'-2"	-
	NI-40x	16'-9"	15'-10"	15'-0"	-	17'-9"	16'-6"	15'-0"	-
	NI-60	16'-11"	16'-0"	15'-5"	-	17'-11"	16'-11"	16'-4"	-
	NI-80	18'-0"	16'-11"	16'-4"	-	19'-2"	17'-10"	17'-3"	-
11-7/8"	NI-20	17'-8"	16'-8"	16'-1"	-	19'-1"	17'-9"	16'-2"	-
	NI-40x	19'-1"	17'-9"	17'-2"	-	20'-7"	18'-10"	17'-2"	-
	NI-60	19'-4"	17'-11"	17'-4"	-	20'-11"	19'-5"	18'-7"	-
	NI-80	20'-10"	19'-3"	18'-4"	-	22'-4"	20'-9"	19'-10"	-
	NI-90	21'-3"	19'-8"	18'-9"	-	22'-10"	21'-2"	20'-3"	-
14"	NI-40x	21'-2"	19'-8"	18'-9"	-	23'-0"	20'-8"	18'-10"	-
	NI-60	21'-7"	19'-11"	19'-1"	-	23'-5"	21'-9"	20'-9"	-
	NI-80	23'-2"	21'-5"	20'-5"	-	25'-1"	23'-2"	22'-2"	-
	NI-90	23'-7"	21'-10"	20'-10"	-	25'-6"	23'-8"	22'-7"	-
16"	NI-60	23'-6"	21'-9"	20'-10"	-	25'-8"	23'-10"	22'-9"	-
	NI-80	25'-3"	23'-4"	22'-3"	-	27'-5"	25'-5"	24'-3"	-
	NI-90	25'-9"	23'-9"	22'-8"	-	27'-11"	25'-11"	24'-8"	-

Notes:

1. The tabulated clear spans are based on CSA O86:19 and NBC 2020, and are applicable to residential floor construction meeting the above design criteria.
2. The vibration-controlled span is determined using Clause A.5.4.5.2 b) of CSA O86:19.
3. For multiple-span applications, the end spans shall be 40% or more of the adjacent span.
4. Minimum bearing length shall be 1-3/4 inch for end bearings, and 3-1/2 inches for intermediate bearings.
5. Bearing stiffeners are not required when I-joists are used in accordance with this table, except as required for hangers.

Maximum Floor Spans – H3.1, Mid-span Blocking

Design Criteria

Spans:	Simple span
Loads:	Live load = 40 psf and dead load = 35 psf
Deflection limit:	L/240 under total load
Sheathing:	23/32 in. nailed-glued oriented strand board (OSB) sheathing

Maximum Floor Spans

Live load deflection limit of L/480

Joist depth	Joist series	Bare				Mid-span blocking			
		On centre spacing				On centre spacing			
		12"	16"	19.2"	24"	12"	16"	19.2"	24"
9-1/2"	NI-20	15'-9"	14'-10"	14'-3"	12'-9"	16'-7"	15'-4"	14'-3"	12'-9"
	NI-40x	16'-10"	15'-10"	15'-1"	13'-6"	17'-7"	16'-7"	15'-1"	13'-6"
	NI-60	16'-11"	16'-0"	15'-5"	14'-9"	17'-9"	16'-10"	16'-3"	15'-4"
	NI-80	18'-0"	16'-11"	16'-3"	15'-7"	19'-0"	17'-8"	17'-1"	16'-5"
11-7/8"	NI-20	17'-8"	16'-8"	16'-1"	14'-6"	18'-11"	17'-8"	16'-3"	14'-6"
	NI-40x	19'-1"	17'-9"	17'-1"	15'-5"	20'-5"	18'-10"	17'-3"	15'-5"
	NI-60	19'-4"	17'-11"	17'-3"	16'-7"	20'-8"	19'-2"	18'-4"	17'-7"
	NI-80	20'-9"	19'-2"	18'-3"	17'-5"	22'-1"	20'-6"	19'-7"	18'-7"
14"	NI-90	21'-2"	19'-7"	18'-8"	17'-9"	22'-7"	20'-11"	19'-11"	18'-11"
	NI-40x	21'-2"	19'-7"	18'-8"	16'-11"	22'-9"	20'-9"	18'-11"	16'-11"
	NI-60	21'-6"	19'-11"	19'-0"	18'-0"	23'-1"	21'-6"	20'-6"	19'-5"
	NI-80	23'-1"	21'-4"	20'-3"	19'-3"	24'-8"	22'-11"	21'-10"	20'-9"
16"	NI-90	23'-6"	21'-9"	20'-8"	19'-7"	25'-2"	23'-4"	22'-3"	21'-1"
	NI-60	23'-5"	21'-8"	20'-8"	19'-7"	25'-4"	23'-6"	22'-5"	20'-11"
	NI-80	25'-1"	23'-2"	22'-1"	20'-11"	27'-0"	25'-1"	23'-11"	22'-8"
NI-90	25'-7"	23'-7"	22'-6"	21'-3"	27'-6"	25'-6"	24'-4"	23'-0"	

Live load deflection limit of L/360

Joist depth	Joist series	Bare				Mid-span blocking			
		On centre spacing				On centre spacing			
		12"	16"	19.2"	24"	12"	16"	19.2"	24"
9-1/2"	NI-20	15'-9"	14'-10"	14'-3"	12'-9"	16'-7"	15'-5"	14'-3"	12'-9"
	NI-40x	16'-10"	15'-10"	15'-1"	13'-6"	17'-7"	16'-7"	15'-1"	13'-6"
	NI-60	16'-11"	16'-0"	15'-5"	14'-9"	17'-9"	16'-10"	16'-3"	15'-6"
	NI-80	18'-0"	16'-11"	16'-3"	15'-7"	19'-0"	17'-8"	17'-1"	16'-5"
11-7/8"	NI-20	17'-8"	16'-8"	16'-1"	14'-6"	18'-11"	17'-8"	16'-3"	14'-6"
	NI-40x	19'-1"	17'-9"	17'-1"	15'-5"	20'-5"	18'-10"	17'-3"	15'-5"
	NI-60	19'-4"	17'-11"	17'-3"	16'-7"	20'-8"	19'-2"	18'-4"	17'-7"
	NI-80	20'-9"	19'-2"	18'-3"	17'-5"	22'-1"	20'-6"	19'-7"	18'-7"
14"	NI-90	21'-2"	19'-7"	18'-8"	17'-9"	22'-7"	20'-11"	19'-11"	18'-11"
	NI-40x	21'-2"	19'-7"	18'-8"	16'-11"	22'-9"	20'-9"	18'-11"	16'-11"
	NI-60	21'-6"	19'-11"	19'-0"	18'-0"	23'-1"	21'-6"	20'-6"	19'-5"
	NI-80	23'-1"	21'-4"	20'-3"	19'-3"	24'-8"	22'-11"	21'-10"	20'-9"
16"	NI-90	23'-6"	21'-9"	20'-8"	19'-7"	25'-2"	23'-4"	22'-3"	21'-1"
	NI-60	23'-5"	21'-8"	20'-8"	19'-7"	25'-4"	23'-6"	22'-5"	20'-11"
	NI-80	25'-1"	23'-2"	22'-1"	20'-11"	27'-0"	25'-1"	23'-11"	22'-8"
NI-90	25'-7"	23'-7"	22'-6"	21'-3"	27'-6"	25'-6"	24'-4"	23'-0"	

Notes:

1. The tabulated clear spans are based on CSA O86:19 and NBC 2020, and are applicable to residential floor construction meeting the above design criteria.
2. The vibration-controlled span is determined using Clause A.5.4.5.2 b) of CSA O86:19.
3. For multiple-span applications, the end spans shall be 40% or more of the adjacent span.
4. Minimum bearing length shall be 1-3/4 inch for end bearings, and 3-1/2 inches for intermediate bearings.
5. Bearing stiffeners are not required when I-joists are used in accordance with this table, except as required for hangers.

Maximum Floor Spans – H3.2, Mid-span Blocking

Design Criteria

Spans:	Multiple spans
Loads:	Live load = 40 psf and dead load = 35 psf
Deflection limit:	L/240 under total load
Sheathing:	23/32 in. nailed-glued oriented strand board (OSB) sheathing

Maximum Floor Spans

Live load deflection limit of L/480

Joist depth	Joist series	Bare				Mid-span blocking			
		On centre spacing				On centre spacing			
		12"	16"	19.2"	24"	12"	16"	19.2"	24"
9-1/2"	NI-20	16'-4"	15'-5"	14'-2"	12'-8"	17'-2"	15'-7"	14'-2"	12'-8"
	NI-40x	17'-6"	16'-5"	15'-0"	13'-5"	18'-4"	16'-6"	15'-0"	13'-5"
	NI-60	17'-8"	16'-7"	16'-0"	14'-4"	18'-7"	17'-5"	16'-10"	14'-4"
	NI-80	18'-11"	17'-7"	16'-11"	14'-4"	19'-11"	18'-6"	17'-9"	14'-4"
11-7/8"	NI-20	18'-6"	17'-4"	16'-2"	14'-5"	19'-10"	17'-9"	16'-2"	14'-5"
	NI-40x	20'-1"	18'-7"	17'-2"	15'-4"	21'-5"	18'-10"	17'-2"	15'-4"
	NI-60	20'-4"	18'-10"	18'-0"	17'-3"	21'-8"	20'-2"	19'-3"	17'-7"
	NI-80	21'-10"	20'-2"	19'-3"	17'-10"	23'-3"	21'-6"	20'-7"	17'-10"
14"	NI-90	22'-4"	20'-7"	19'-7"	18'-7"	23'-8"	22'-0"	20'-11"	19'-11"
	NI-40x	22'-3"	20'-7"	18'-10"	16'-10"	23'-10"	20'-8"	18'-10"	16'-10"
	NI-60	22'-8"	20'-11"	20'-0"	18'-11"	24'-3"	22'-6"	21'-6"	18'-11"
	NI-80	24'-4"	22'-5"	21'-4"	20'-1"	25'-11"	24'-1"	22'-11"	20'-1"
16"	NI-90	24'-10"	22'-11"	21'-9"	20'-3"	26'-6"	24'-6"	23'-5"	20'-3"
	NI-60	24'-8"	22'-10"	21'-9"	19'-8"	26'-7"	24'-8"	23'-4"	19'-8"
	NI-80	26'-6"	24'-5"	23'-3"	21'-11"	28'-5"	26'-4"	25'-1"	21'-11"
	NI-90	27'-0"	24'-11"	23'-8"	21'-11"	28'-11"	26'-10"	25'-7"	21'-11"

Live load deflection limit of L/360

Joist depth	Joist series	Bare				Mid-span blocking			
		On centre spacing				On centre spacing			
		12"	16"	19.2"	24"	12"	16"	19.2"	24"
9-1/2"	NI-20	16'-4"	15'-5"	14'-2"	12'-8"	17'-2"	15'-7"	14'-2"	12'-8"
	NI-40x	17'-6"	16'-5"	15'-0"	13'-5"	18'-4"	16'-6"	15'-0"	13'-5"
	NI-60	17'-8"	16'-7"	16'-0"	14'-4"	18'-7"	17'-5"	16'-10"	14'-4"
	NI-80	18'-11"	17'-7"	16'-11"	14'-4"	19'-11"	18'-6"	17'-9"	14'-4"
11-7/8"	NI-20	18'-6"	17'-4"	16'-2"	14'-5"	19'-10"	17'-9"	16'-2"	14'-5"
	NI-40x	20'-1"	18'-7"	17'-2"	15'-4"	21'-5"	18'-10"	17'-2"	15'-4"
	NI-60	20'-4"	18'-10"	18'-0"	17'-3"	21'-8"	20'-2"	19'-3"	17'-7"
	NI-80	21'-10"	20'-2"	19'-3"	17'-10"	23'-3"	21'-6"	20'-7"	17'-10"
14"	NI-90	22'-4"	20'-7"	19'-7"	18'-7"	23'-8"	22'-0"	20'-11"	19'-11"
	NI-40x	22'-3"	20'-7"	18'-10"	16'-10"	23'-10"	20'-8"	18'-10"	16'-10"
	NI-60	22'-8"	20'-11"	20'-0"	18'-11"	24'-3"	22'-6"	21'-6"	18'-11"
	NI-80	24'-4"	22'-5"	21'-4"	20'-1"	25'-11"	24'-1"	22'-11"	20'-1"
16"	NI-90	24'-10"	22'-11"	21'-9"	20'-3"	26'-6"	24'-6"	23'-5"	20'-3"
	NI-60	24'-8"	22'-10"	21'-9"	19'-8"	26'-7"	24'-8"	23'-4"	19'-8"
	NI-80	26'-6"	24'-5"	23'-3"	21'-11"	28'-5"	26'-4"	25'-1"	21'-11"
	NI-90	27'-0"	24'-11"	23'-8"	21'-11"	28'-11"	26'-10"	25'-7"	21'-11"

Notes:

1. The tabulated clear spans are based on CSA O86:19 and NBC 2020, and are applicable to residential floor construction meeting the above design criteria.
2. The vibration-controlled span is determined using Clause A.5.4.5.2 b) of CSA O86:19.
3. For multiple-span applications, the end spans shall be 40% or more of the adjacent span.
4. Minimum bearing length shall be 1-3/4 inch for end bearings, and 3-1/2 inches for intermediate bearings.
5. Bearing stiffeners are not required when I-joists are used in accordance with this table, except as required for hangers.

Maximum Floor Spans – H4.1, Mid-span Blocking

Design Criteria

Spans:	Simple span
Loads:	Live load = 40 psf and dead load = 35 psf
Deflection limit:	L/240 under total load
Sheathing:	3/4 in. nailed-glued oriented strand board (OSB) sheathing

Maximum Floor Spans

Live load deflection limit of L/480

Joist depth	Joist series	Bare				Mid-span blocking			
		On centre spacing				On centre spacing			
		12"	16"	19.2"	24"	12"	16"	19.2"	24"
9-1/2"	NI-20	15'-11"	15'-0"	14'-3"	12'-9"	16'-8"	15'-5"	14'-3"	12'-9"
	NI-40x	17'-0"	16'-0"	15'-1"	13'-6"	17'-9"	16'-7"	15'-1"	13'-6"
	NI-60	17'-2"	16'-2"	15'-7"	14'-11"	17'-11"	16'-11"	16'-4"	15'-5"
	NI-80	18'-3"	17'-1"	16'-5"	15'-9"	19'-3"	17'-10"	17'-3"	16'-6"
11-7/8"	NI-20	17'-11"	16'-11"	16'-3"	14'-6"	19'-1"	17'-10"	16'-3"	14'-6"
	NI-40x	19'-4"	17'-11"	17'-3"	15'-5"	20'-7"	18'-10"	17'-3"	15'-5"
	NI-60	19'-7"	18'-2"	17'-6"	16'-9"	20'-11"	19'-5"	18'-7"	17'-8"
	NI-80	21'-1"	19'-6"	18'-6"	17'-7"	22'-4"	20'-9"	19'-9"	18'-9"
14"	NI-90	21'-6"	19'-10"	18'-11"	17'-11"	22'-10"	21'-2"	20'-2"	19'-1"
	NI-40x	21'-5"	19'-11"	18'-11"	16'-11"	23'-0"	20'-9"	18'-11"	16'-11"
	NI-60	21'-10"	20'-2"	19'-3"	18'-3"	23'-4"	21'-9"	20'-9"	19'-5"
	NI-80	23'-5"	21'-7"	20'-7"	19'-5"	25'-0"	23'-2"	22'-1"	20'-11"
16"	NI-90	23'-10"	22'-1"	21'-0"	19'-10"	25'-5"	23'-7"	22'-6"	21'-4"
	NI-60	23'-9"	22'-0"	21'-0"	19'-10"	25'-7"	23'-9"	22'-8"	20'-11"
	NI-80	25'-6"	23'-7"	22'-5"	21'-2"	27'-4"	25'-4"	24'-2"	22'-10"
	NI-90	26'-0"	24'-0"	22'-10"	21'-6"	27'-10"	25'-10"	24'-7"	23'-3"

Live load deflection limit of L/360

Joist depth	Joist series	Bare				Mid-span blocking			
		On centre spacing				On centre spacing			
		12"	16"	19.2"	24"	12"	16"	19.2"	24"
9-1/2"	NI-20	15'-11"	15'-0"	14'-3"	12'-9"	16'-8"	15'-5"	14'-3"	12'-9"
	NI-40x	17'-0"	16'-0"	15'-1"	13'-6"	17'-9"	16'-7"	15'-1"	13'-6"
	NI-60	17'-2"	16'-2"	15'-7"	14'-11"	17'-11"	16'-11"	16'-4"	15'-6"
	NI-80	18'-3"	17'-1"	16'-5"	15'-9"	19'-3"	17'-10"	17'-3"	16'-6"
11-7/8"	NI-20	17'-11"	16'-11"	16'-3"	14'-6"	19'-1"	17'-10"	16'-3"	14'-6"
	NI-40x	19'-4"	17'-11"	17'-3"	15'-5"	20'-7"	18'-10"	17'-3"	15'-5"
	NI-60	19'-7"	18'-2"	17'-6"	16'-9"	20'-11"	19'-5"	18'-7"	17'-8"
	NI-80	21'-1"	19'-6"	18'-6"	17'-7"	22'-4"	20'-9"	19'-9"	18'-9"
14"	NI-90	21'-6"	19'-10"	18'-11"	17'-11"	22'-10"	21'-2"	20'-2"	19'-1"
	NI-40x	21'-5"	19'-11"	18'-11"	16'-11"	23'-0"	20'-9"	18'-11"	16'-11"
	NI-60	21'-10"	20'-2"	19'-3"	18'-3"	23'-4"	21'-9"	20'-9"	19'-5"
	NI-80	23'-5"	21'-7"	20'-7"	19'-5"	25'-0"	23'-2"	22'-1"	20'-11"
16"	NI-90	23'-10"	22'-1"	21'-0"	19'-10"	25'-5"	23'-7"	22'-6"	21'-4"
	NI-60	23'-9"	22'-0"	21'-0"	19'-10"	25'-7"	23'-9"	22'-8"	20'-11"
	NI-80	25'-6"	23'-7"	22'-5"	21'-2"	27'-4"	25'-4"	24'-2"	22'-10"
	NI-90	26'-0"	24'-0"	22'-10"	21'-6"	27'-10"	25'-10"	24'-7"	23'-3"

Notes:

1. The tabulated clear spans are based on CSA O86:19 and NBC 2020, and are applicable to residential floor construction meeting the above design criteria.
2. The vibration-controlled span is determined using Clause A.5.4.5.2 b) of CSA O86:19.
3. For multiple-span applications, the end spans shall be 40% or more of the adjacent span.
4. Minimum bearing length shall be 1-3/4 inch for end bearings, and 3-1/2 inches for intermediate bearings.
5. Bearing stiffeners are not required when I-joists are used in accordance with this table, except as required for hangers.

Maximum Floor Spans – H4.2, Mid-span Blocking

Design Criteria

Spans:	Multiple spans
Loads:	Live load = 40 psf and dead load = 35 psf
Deflection limit:	L/240 under total load
Sheathing:	3/4 in. nailed-glued oriented strand board (OSB) sheathing

Maximum Floor Spans

Live load deflection limit of L/480

Joist depth	Joist series	Bare				Mid-span blocking			
		On centre spacing				On centre spacing			
		12"	16"	19.2"	24"	12"	16"	19.2"	24"
9-1/2"	NI-20	16'-7"	15'-7"	14'-2"	12'-8"	17'-4"	15'-7"	14'-2"	12'-8"
	NI-40x	17'-8"	16'-6"	15'-0"	13'-5"	18'-7"	16'-6"	15'-0"	13'-5"
	NI-60	17'-10"	16'-10"	16'-2"	14'-4"	18'-10"	17'-7"	17'-0"	14'-4"
	NI-80	19'-2"	17'-9"	17'-1"	14'-4"	20'-2"	18'-9"	17'-11"	14'-4"
11-7/8"	NI-20	18'-10"	17'-7"	16'-2"	14'-5"	20'-0"	17'-9"	16'-2"	14'-5"
	NI-40x	20'-4"	18'-10"	17'-2"	15'-4"	21'-8"	18'-10"	17'-2"	15'-4"
	NI-60	20'-8"	19'-2"	18'-3"	17'-5"	21'-11"	20'-5"	19'-6"	17'-7"
	NI-80	22'-2"	20'-6"	19'-6"	17'-10"	23'-6"	21'-10"	20'-9"	17'-10"
14"	NI-90	22'-8"	20'-11"	19'-11"	18'-10"	23'-11"	22'-3"	21'-2"	20'-1"
	NI-40x	22'-7"	20'-8"	18'-10"	16'-10"	23'-11"	20'-8"	18'-10"	16'-10"
	NI-60	23'-0"	21'-3"	20'-3"	18'-11"	24'-6"	22'-10"	21'-7"	18'-11"
	NI-80	24'-8"	22'-9"	21'-8"	20'-1"	26'-3"	24'-4"	23'-2"	20'-1"
16"	NI-90	25'-2"	23'-3"	22'-1"	20'-3"	26'-9"	24'-10"	23'-8"	20'-3"
	NI-60	25'-0"	23'-2"	22'-1"	19'-8"	26'-10"	25'-0"	23'-4"	19'-8"
	NI-80	26'-10"	24'-10"	23'-7"	21'-11"	28'-9"	26'-8"	25'-5"	21'-11"
	NI-90	27'-5"	25'-3"	24'-0"	21'-11"	29'-3"	27'-2"	25'-10"	21'-11"

Live load deflection limit of L/360

Joist depth	Joist series	Bare				Mid-span blocking			
		On centre spacing				On centre spacing			
		12"	16"	19.2"	24"	12"	16"	19.2"	24"
9-1/2"	NI-20	16'-7"	15'-7"	14'-2"	12'-8"	17'-4"	15'-7"	14'-2"	12'-8"
	NI-40x	17'-8"	16'-6"	15'-0"	13'-5"	18'-7"	16'-6"	15'-0"	13'-5"
	NI-60	17'-10"	16'-10"	16'-2"	14'-4"	18'-10"	17'-7"	17'-0"	14'-4"
	NI-80	19'-2"	17'-9"	17'-1"	14'-4"	20'-2"	18'-9"	17'-11"	14'-4"
11-7/8"	NI-20	18'-10"	17'-7"	16'-2"	14'-5"	20'-0"	17'-9"	16'-2"	14'-5"
	NI-40x	20'-4"	18'-10"	17'-2"	15'-4"	21'-8"	18'-10"	17'-2"	15'-4"
	NI-60	20'-8"	19'-2"	18'-3"	17'-5"	21'-11"	20'-5"	19'-6"	17'-7"
	NI-80	22'-2"	20'-6"	19'-6"	17'-10"	23'-6"	21'-10"	20'-9"	17'-10"
14"	NI-90	22'-8"	20'-11"	19'-11"	18'-10"	23'-11"	22'-3"	21'-2"	20'-1"
	NI-40x	22'-7"	20'-8"	18'-10"	16'-10"	23'-11"	20'-8"	18'-10"	16'-10"
	NI-60	23'-0"	21'-3"	20'-3"	18'-11"	24'-6"	22'-10"	21'-7"	18'-11"
	NI-80	24'-8"	22'-9"	21'-8"	20'-1"	26'-3"	24'-4"	23'-2"	20'-1"
16"	NI-90	25'-2"	23'-3"	22'-1"	20'-3"	26'-9"	24'-10"	23'-8"	20'-3"
	NI-60	25'-0"	23'-2"	22'-1"	19'-8"	26'-10"	25'-0"	23'-4"	19'-8"
	NI-80	26'-10"	24'-10"	23'-7"	21'-11"	28'-9"	26'-8"	25'-5"	21'-11"
	NI-90	27'-5"	25'-3"	24'-0"	21'-11"	29'-3"	27'-2"	25'-10"	21'-11"

Notes:

1. The tabulated clear spans are based on CSA O86:19 and NBC 2020, and are applicable to residential floor construction meeting the above design criteria.
2. The vibration-controlled span is determined using Clause A.5.4.5.2 b) of CSA O86:19.
3. For multiple-span applications, the end spans shall be 40% or more of the adjacent span.
4. Minimum bearing length shall be 1-3/4 inch for end bearings, and 3-1/2 inches for intermediate bearings.
5. Bearing stiffeners are not required when I-joists are used in accordance with this table, except as required for hangers.

Maximum Floor Spans – H5.1, Mid-span Blocking

Design Criteria

Spans:	Simple span
Loads:	Live load = 40 psf and dead load = 35 psf
Deflection limit:	L/240 under total load
Sheathing:	7/8 in. nailed-glued oriented strand board (OSB) sheathing

Maximum Floor Spans

Live load deflection limit of L/480

Joist depth	Joist series	Bare				Mid-span blocking			
		On centre spacing				On centre spacing			
		12"	16"	19.2"	24"	12"	16"	19.2"	24"
9-1/2"	NI-20	16'-8"	15'-5"	14'-3"	12'-9"	17'-0"	15'-5"	14'-3"	12'-9"
	NI-40x	17'-9"	16'-7"	15'-1"	13'-6"	18'-6"	16'-7"	15'-1"	13'-6"
	NI-60	17'-11"	16'-11"	16'-3"	15'-6"	18'-9"	17'-7"	16'-8"	15'-6"
	NI-80	19'-3"	17'-10"	17'-2"	16'-5"	20'-1"	18'-8"	17'-10"	17'-0"
11-7/8"	NI-20	18'-11"	17'-8"	16'-3"	14'-6"	19'-11"	17'-10"	16'-3"	14'-6"
	NI-40x	20'-5"	18'-10"	17'-3"	15'-5"	21'-6"	18'-10"	17'-3"	15'-5"
	NI-60	20'-8"	19'-3"	18'-4"	17'-5"	21'-9"	20'-4"	19'-4"	17'-8"
	NI-80	22'-2"	20'-7"	19'-7"	18'-5"	23'-3"	21'-8"	20'-8"	19'-6"
14"	NI-90	22'-8"	21'-0"	19'-11"	18'-9"	23'-9"	22'-1"	21'-1"	19'-10"
	NI-40x	22'-7"	20'-9"	18'-11"	16'-11"	23'-11"	20'-9"	18'-11"	16'-11"
	NI-60	23'-0"	21'-4"	20'-4"	19'-2"	24'-3"	22'-8"	21'-7"	19'-5"
	NI-80	24'-8"	22'-10"	21'-8"	20'-5"	26'-0"	24'-2"	23'-0"	21'-9"
16"	NI-90	25'-2"	23'-3"	22'-1"	20'-10"	26'-6"	24'-7"	23'-5"	22'-0"
	NI-60	25'-1"	23'-3"	22'-1"	20'-10"	26'-7"	24'-9"	23'-4"	20'-11"
	NI-80	26'-10"	24'-10"	23'-7"	22'-3"	28'-5"	26'-5"	25'-2"	23'-6"
	NI-90	27'-4"	25'-4"	24'-1"	22'-7"	28'-11"	26'-11"	25'-7"	23'-6"

Live load deflection limit of L/360

Joist depth	Joist series	Bare				Mid-span blocking			
		On centre spacing				On centre spacing			
		12"	16"	19.2"	24"	12"	16"	19.2"	24"
9-1/2"	NI-20	16'-8"	15'-5"	14'-3"	12'-9"	17'-1"	15'-5"	14'-3"	12'-9"
	NI-40x	17'-9"	16'-7"	15'-1"	13'-6"	18'-6"	16'-7"	15'-1"	13'-6"
	NI-60	17'-11"	16'-11"	16'-3"	15'-6"	18'-9"	17'-7"	16'-10"	15'-6"
	NI-80	19'-3"	17'-10"	17'-2"	16'-5"	20'-1"	18'-8"	17'-10"	17'-1"
11-7/8"	NI-20	18'-11"	17'-8"	16'-3"	14'-6"	19'-11"	17'-10"	16'-3"	14'-6"
	NI-40x	20'-5"	18'-10"	17'-3"	15'-5"	21'-6"	18'-10"	17'-3"	15'-5"
	NI-60	20'-8"	19'-3"	18'-4"	17'-5"	21'-9"	20'-4"	19'-4"	17'-8"
	NI-80	22'-2"	20'-7"	19'-7"	18'-5"	23'-3"	21'-8"	20'-8"	19'-6"
14"	NI-90	22'-8"	21'-0"	19'-11"	18'-9"	23'-9"	22'-1"	21'-1"	19'-10"
	NI-40x	22'-7"	20'-9"	18'-11"	16'-11"	23'-11"	20'-9"	18'-11"	16'-11"
	NI-60	23'-0"	21'-4"	20'-4"	19'-2"	24'-3"	22'-8"	21'-7"	19'-5"
	NI-80	24'-8"	22'-10"	21'-8"	20'-5"	26'-0"	24'-2"	23'-0"	21'-9"
16"	NI-90	25'-2"	23'-3"	22'-1"	20'-10"	26'-6"	24'-7"	23'-5"	22'-0"
	NI-60	25'-1"	23'-3"	22'-1"	20'-10"	26'-7"	24'-9"	23'-4"	20'-11"
	NI-80	26'-10"	24'-10"	23'-7"	22'-3"	28'-5"	26'-5"	25'-2"	23'-6"
	NI-90	27'-4"	25'-4"	24'-1"	22'-7"	28'-11"	26'-11"	25'-7"	23'-6"

Notes:

1. The tabulated clear spans are based on CSA O86:19 and NBC 2020, and are applicable to residential floor construction meeting the above design criteria.
2. The vibration-controlled span is determined using Clause A.5.4.5.2 b) of CSA O86:19.
3. For multiple-span applications, the end spans shall be 40% or more of the adjacent span.
4. Minimum bearing length shall be 1-3/4 inch for end bearings, and 3-1/2 inches for intermediate bearings.
5. Bearing stiffeners are not required when I-joists are used in accordance with this table, except as required for hangers.

Maximum Floor Spans – H5.2, Mid-span Blocking

Design Criteria

Spans:	Multiple spans
Loads:	Live load = 40 psf and dead load = 35 psf
Deflection limit:	L/240 under total load
Sheathing:	7/8 in. nailed-glued oriented strand board (OSB) sheathing

Maximum Floor Spans

Live load deflection limit of L/480

Joist depth	Joist series	Bare				Mid-span blocking			
		On centre spacing				On centre spacing			
		12"	16"	19.2"	24"	12"	16"	19.2"	24"
9-1/2"	NI-20	17'-4"	15'-7"	14'-2"	12'-8"	17'-11"	15'-7"	14'-2"	12'-8"
	NI-40x	18'-7"	16'-6"	15'-0"	13'-5"	19'-1"	16'-6"	15'-0"	13'-5"
	NI-60	18'-10"	17'-7"	16'-11"	14'-4"	19'-8"	18'-4"	17'-3"	14'-4"
	NI-80	20'-3"	18'-9"	17'-10"	14'-4"	21'-1"	19'-7"	18'-0"	14'-4"
11-7/8"	NI-20	19'-10"	17'-9"	16'-2"	14'-5"	20'-6"	17'-9"	16'-2"	14'-5"
	NI-40x	21'-6"	18'-10"	17'-2"	15'-4"	21'-9"	18'-10"	17'-2"	15'-4"
	NI-60	21'-9"	20'-3"	19'-3"	17'-7"	22'-10"	21'-4"	19'-8"	17'-7"
	NI-80	23'-4"	21'-8"	20'-7"	17'-10"	24'-5"	22'-9"	21'-8"	17'-10"
14"	NI-90	23'-10"	22'-1"	21'-0"	19'-9"	24'-11"	23'-3"	22'-1"	20'-3"
	NI-40x	23'-10"	20'-8"	18'-10"	16'-10"	23'-11"	20'-8"	18'-10"	16'-10"
	NI-60	24'-3"	22'-6"	21'-5"	18'-11"	25'-6"	23'-8"	21'-7"	18'-11"
	NI-80	26'-0"	24'-1"	22'-10"	20'-1"	27'-3"	25'-5"	24'-2"	20'-1"
16"	NI-90	26'-6"	24'-6"	23'-4"	20'-3"	27'-10"	25'-11"	24'-8"	20'-3"
	NI-60	26'-5"	24'-6"	23'-4"	19'-8"	27'-11"	25'-6"	23'-4"	19'-8"
	NI-80	28'-3"	26'-2"	24'-11"	21'-11"	29'-10"	27'-9"	26'-6"	21'-11"
	NI-90	28'-10"	26'-8"	25'-4"	21'-11"	30'-4"	28'-3"	26'-11"	21'-11"

Live load deflection limit of L/360

Joist depth	Joist series	Bare				Mid-span blocking			
		On centre spacing				On centre spacing			
		12"	16"	19.2"	24"	12"	16"	19.2"	24"
9-1/2"	NI-20	17'-4"	15'-7"	14'-2"	12'-8"	17'-11"	15'-7"	14'-2"	12'-8"
	NI-40x	18'-7"	16'-6"	15'-0"	13'-5"	19'-1"	16'-6"	15'-0"	13'-5"
	NI-60	18'-10"	17'-7"	16'-11"	14'-4"	19'-8"	18'-4"	17'-3"	14'-4"
	NI-80	20'-3"	18'-9"	17'-10"	14'-4"	21'-1"	19'-7"	18'-0"	14'-4"
11-7/8"	NI-20	19'-10"	17'-9"	16'-2"	14'-5"	20'-6"	17'-9"	16'-2"	14'-5"
	NI-40x	21'-6"	18'-10"	17'-2"	15'-4"	21'-9"	18'-10"	17'-2"	15'-4"
	NI-60	21'-9"	20'-3"	19'-3"	17'-7"	22'-10"	21'-4"	19'-8"	17'-7"
	NI-80	23'-4"	21'-8"	20'-7"	17'-10"	24'-5"	22'-9"	21'-8"	17'-10"
14"	NI-90	23'-10"	22'-1"	21'-0"	19'-9"	24'-11"	23'-3"	22'-1"	20'-3"
	NI-40x	23'-10"	20'-8"	18'-10"	16'-10"	23'-11"	20'-8"	18'-10"	16'-10"
	NI-60	24'-3"	22'-6"	21'-5"	18'-11"	25'-6"	23'-8"	21'-7"	18'-11"
	NI-80	26'-0"	24'-1"	22'-10"	20'-1"	27'-3"	25'-5"	24'-2"	20'-1"
16"	NI-90	26'-6"	24'-6"	23'-4"	20'-3"	27'-10"	25'-11"	24'-8"	20'-3"
	NI-60	26'-5"	24'-6"	23'-4"	19'-8"	27'-11"	25'-6"	23'-4"	19'-8"
	NI-80	28'-3"	26'-2"	24'-11"	21'-11"	29'-10"	27'-9"	26'-6"	21'-11"
	NI-90	28'-10"	26'-8"	25'-4"	21'-11"	30'-4"	28'-3"	26'-11"	21'-11"

Notes:

1. The tabulated clear spans are based on CSA O86:19 and NBC 2020, and are applicable to residential floor construction meeting the above design criteria.
2. The vibration-controlled span is determined using Clause A.5.4.5.2 b) of CSA O86:19.
3. For multiple-span applications, the end spans shall be 40% or more of the adjacent span.
4. Minimum bearing length shall be 1-3/4 inch for end bearings, and 3-1/2 inches for intermediate bearings.
5. Bearing stiffeners are not required when I-joists are used in accordance with this table, except as required for hangers.

Maximum Floor Spans – H6.1, Mid-span Blocking

Design Criteria

Spans:	Simple span
Loads:	Live load = 40 psf and dead load = 35 psf
Deflection limit:	L/240 under total load
Sheathing:	5/8 in. nailed-glued Canadian softwood plywood

Maximum Floor Spans

Live load deflection limit of L/480

Joist depth	Joist series	Bare				Mid-span blocking			
		On centre spacing				On centre spacing			
		12"	16"	19.2"	24"	12"	16"	19.2"	24"
9-1/2"	NI-20	14'-11"	14'-1"	13'-7"	-	15'-10"	15'-0"	14'-3"	-
	NI-40x	15'-11"	15'-0"	14'-6"	-	16'-11"	16'-0"	15'-1"	-
	NI-60	16'-1"	15'-2"	14'-8"	-	17'-1"	16'-1"	15'-7"	-
	NI-80	17'-1"	16'-1"	15'-6"	-	18'-1"	17'-0"	16'-5"	-
11-7/8"	NI-20	16'-9"	15'-10"	15'-4"	-	17'-11"	17'-0"	16'-3"	-
	NI-40x	17'-10"	16'-10"	16'-3"	-	19'-5"	18'-0"	17'-3"	-
	NI-60	18'-1"	17'-0"	16'-5"	-	19'-8"	18'-3"	17'-7"	-
	NI-80	19'-6"	18'-0"	17'-4"	-	21'-1"	19'-6"	18'-8"	-
14"	NI-90	19'-11"	18'-4"	17'-8"	-	21'-6"	19'-11"	19'-0"	-
	NI-40x	19'-10"	18'-4"	17'-8"	-	21'-8"	20'-1"	18'-11"	-
	NI-60	20'-2"	18'-8"	17'-11"	-	22'-0"	20'-5"	19'-7"	-
	NI-80	21'-8"	20'-0"	19'-1"	-	23'-7"	21'-10"	20'-11"	-
16"	NI-90	22'-1"	20'-5"	19'-6"	-	24'-1"	22'-3"	21'-3"	-
	NI-60	22'-0"	20'-4"	19'-6"	-	24'-2"	22'-5"	21'-5"	-
	NI-80	23'-7"	21'-10"	20'-10"	-	25'-10"	23'-11"	22'-10"	-
	NI-90	24'-1"	22'-2"	21'-2"	-	26'-4"	24'-4"	23'-3"	-

Live load deflection limit of L/360

Joist depth	Joist series	Bare				Mid-span blocking			
		On centre spacing				On centre spacing			
		12"	16"	19.2"	24"	12"	16"	19.2"	24"
9-1/2"	NI-20	14'-11"	14'-1"	13'-7"	-	15'-10"	15'-0"	14'-3"	-
	NI-40x	15'-11"	15'-0"	14'-6"	-	16'-11"	16'-0"	15'-1"	-
	NI-60	16'-1"	15'-2"	14'-8"	-	17'-1"	16'-1"	15'-7"	-
	NI-80	17'-1"	16'-1"	15'-6"	-	18'-1"	17'-0"	16'-5"	-
11-7/8"	NI-20	16'-9"	15'-10"	15'-4"	-	17'-11"	17'-0"	16'-3"	-
	NI-40x	17'-10"	16'-10"	16'-3"	-	19'-5"	18'-0"	17'-3"	-
	NI-60	18'-1"	17'-0"	16'-5"	-	19'-8"	18'-3"	17'-7"	-
	NI-80	19'-6"	18'-0"	17'-4"	-	21'-1"	19'-6"	18'-8"	-
14"	NI-90	19'-11"	18'-4"	17'-8"	-	21'-6"	19'-11"	19'-0"	-
	NI-40x	19'-10"	18'-4"	17'-8"	-	21'-8"	20'-1"	18'-11"	-
	NI-60	20'-2"	18'-8"	17'-11"	-	22'-0"	20'-5"	19'-7"	-
	NI-80	21'-8"	20'-0"	19'-1"	-	23'-7"	21'-10"	20'-11"	-
16"	NI-90	22'-1"	20'-5"	19'-6"	-	24'-1"	22'-3"	21'-3"	-
	NI-60	22'-0"	20'-4"	19'-6"	-	24'-2"	22'-5"	21'-5"	-
	NI-80	23'-7"	21'-10"	20'-10"	-	25'-10"	23'-11"	22'-10"	-
	NI-90	24'-1"	22'-2"	21'-2"	-	26'-4"	24'-4"	23'-3"	-

Notes:

1. The tabulated clear spans are based on CSA O86:19 and NBC 2020, and are applicable to residential floor construction meeting the above design criteria.
2. The vibration-controlled span is determined using Clause A.5.4.5.2 b) of CSA O86:19.
3. For multiple-span applications, the end spans shall be 40% or more of the adjacent span.
4. Minimum bearing length shall be 1-3/4 inch for end bearings, and 3-1/2 inches for intermediate bearings.
5. Bearing stiffeners are not required when I-joists are used in accordance with this table, except as required for hangers.

Maximum Floor Spans – H6.2, Mid-span Blocking

Design Criteria

Spans:	Multiple spans
Loads:	Live load = 40 psf and dead load = 35 psf
Deflection limit:	L/240 under total load
Sheathing:	5/8 in. nailed-glued Canadian softwood plywood

Maximum Floor Spans

Live load deflection limit of L/480

Joist depth	Joist series	Bare				Mid-span blocking			
		On centre spacing				On centre spacing			
		12"	16"	19.2"	24"	12"	16"	19.2"	24"
9-1/2"	NI-20	15'-6"	14'-7"	14'-2"	-	16'-5"	15'-7"	14'-2"	-
	NI-40x	16'-7"	15'-7"	15'-0"	-	17'-6"	16'-6"	15'-0"	-
	NI-60	16'-9"	15'-9"	15'-3"	-	17'-8"	16'-9"	16'-2"	-
	NI-80	17'-9"	16'-8"	16'-2"	-	19'-0"	17'-8"	17'-1"	-
11-7/8"	NI-20	17'-5"	16'-5"	15'-11"	-	18'-10"	17'-7"	16'-2"	-
	NI-40x	18'-10"	17'-6"	16'-11"	-	20'-4"	18'-10"	17'-2"	-
	NI-60	19'-1"	17'-9"	17'-1"	-	20'-7"	19'-2"	18'-4"	-
	NI-80	20'-6"	19'-0"	18'-2"	-	22'-1"	20'-6"	19'-7"	-
	NI-90	21'-0"	19'-4"	18'-6"	-	22'-7"	20'-11"	20'-0"	-
14"	NI-40x	20'-10"	19'-4"	18'-6"	-	22'-9"	20'-8"	18'-10"	-
	NI-60	21'-3"	19'-8"	18'-10"	-	23'-1"	21'-5"	20'-7"	-
	NI-80	22'-10"	21'-1"	20'-2"	-	24'-9"	22'-11"	21'-11"	-
	NI-90	23'-4"	21'-6"	20'-7"	-	25'-3"	23'-5"	22'-4"	-
16"	NI-60	23'-2"	21'-5"	20'-6"	-	25'-4"	23'-6"	22'-6"	-
	NI-80	24'-11"	23'-0"	21'-11"	-	27'-2"	25'-2"	24'-0"	-
	NI-90	25'-5"	23'-5"	22'-4"	-	27'-8"	25'-7"	24'-5"	-

Live load deflection limit of L/360

Joist depth	Joist series	Bare				Mid-span blocking			
		On centre spacing				On centre spacing			
		12"	16"	19.2"	24"	12"	16"	19.2"	24"
9-1/2"	NI-20	15'-6"	14'-7"	14'-2"	-	16'-5"	15'-7"	14'-2"	-
	NI-40x	16'-7"	15'-7"	15'-0"	-	17'-6"	16'-6"	15'-0"	-
	NI-60	16'-9"	15'-9"	15'-3"	-	17'-8"	16'-9"	16'-2"	-
	NI-80	17'-9"	16'-8"	16'-2"	-	19'-0"	17'-8"	17'-1"	-
11-7/8"	NI-20	17'-5"	16'-5"	15'-11"	-	18'-10"	17'-7"	16'-2"	-
	NI-40x	18'-10"	17'-6"	16'-11"	-	20'-4"	18'-10"	17'-2"	-
	NI-60	19'-1"	17'-9"	17'-1"	-	20'-7"	19'-2"	18'-4"	-
	NI-80	20'-6"	19'-0"	18'-2"	-	22'-1"	20'-6"	19'-7"	-
	NI-90	21'-0"	19'-4"	18'-6"	-	22'-7"	20'-11"	20'-0"	-
14"	NI-40x	20'-10"	19'-4"	18'-6"	-	22'-9"	20'-8"	18'-10"	-
	NI-60	21'-3"	19'-8"	18'-10"	-	23'-1"	21'-5"	20'-7"	-
	NI-80	22'-10"	21'-1"	20'-2"	-	24'-9"	22'-11"	21'-11"	-
	NI-90	23'-4"	21'-6"	20'-7"	-	25'-3"	23'-5"	22'-4"	-
16"	NI-60	23'-2"	21'-5"	20'-6"	-	25'-4"	23'-6"	22'-6"	-
	NI-80	24'-11"	23'-0"	21'-11"	-	27'-2"	25'-2"	24'-0"	-
	NI-90	25'-5"	23'-5"	22'-4"	-	27'-8"	25'-7"	24'-5"	-

Notes:

1. The tabulated clear spans are based on CSA O86:19 and NBC 2020, and are applicable to residential floor construction meeting the above design criteria.
2. The vibration-controlled span is determined using Clause A.5.4.5.2 b) of CSA O86:19.
3. For multiple-span applications, the end spans shall be 40% or more of the adjacent span.
4. Minimum bearing length shall be 1-3/4 inch for end bearings, and 3-1/2 inches for intermediate bearings.
5. Bearing stiffeners are not required when I-joists are used in accordance with this table, except as required for hangers.

Maximum Floor Spans – H7.1, Mid-span Blocking

Design Criteria

Spans:	Simple span
Loads:	Live load = 40 psf and dead load = 35 psf
Deflection limit:	L/240 under total load
Sheathing:	3/4 in. nailed-glued Canadian softwood plywood

Maximum Floor Spans

Live load deflection limit of L/480

Joist depth	Joist series	Bare				Mid-span blocking			
		On centre spacing				On centre spacing			
		12"	16"	19.2"	24"	12"	16"	19.2"	24"
9-1/2"	NI-20	15'-10"	15'-0"	14'-3"	12'-9"	16'-8"	15'-5"	14'-3"	12'-9"
	NI-40x	16'-11"	15'-11"	15'-1"	13'-6"	17'-8"	16'-7"	15'-1"	13'-6"
	NI-60	17'-1"	16'-1"	15'-6"	14'-10"	17'-10"	16'-11"	16'-4"	15'-5"
	NI-80	18'-1"	17'-0"	16'-4"	15'-8"	19'-2"	17'-10"	17'-2"	16'-6"
11-7/8"	NI-20	17'-10"	16'-10"	16'-2"	14'-6"	19'-0"	17'-9"	16'-3"	14'-6"
	NI-40x	19'-3"	17'-10"	17'-2"	15'-5"	20'-6"	18'-10"	17'-3"	15'-5"
	NI-60	19'-6"	18'-1"	17'-4"	16'-8"	20'-9"	19'-4"	18'-6"	17'-8"
	NI-80	20'-11"	19'-4"	18'-5"	17'-7"	22'-3"	20'-8"	19'-8"	18'-8"
	NI-90	21'-4"	19'-9"	18'-9"	17'-10"	22'-8"	21'-1"	20'-1"	19'-0"
14"	NI-40x	21'-4"	19'-9"	18'-10"	16'-11"	22'-10"	20'-9"	18'-11"	16'-11"
	NI-60	21'-8"	20'-1"	19'-2"	18'-2"	23'-3"	21'-7"	20'-7"	19'-5"
	NI-80	23'-3"	21'-6"	20'-5"	19'-4"	24'-10"	23'-1"	22'-0"	20'-10"
	NI-90	23'-9"	21'-11"	20'-10"	19'-8"	25'-4"	23'-6"	22'-5"	21'-2"
16"	NI-60	23'-7"	21'-10"	20'-10"	19'-9"	25'-5"	23'-8"	22'-7"	20'-11"
	NI-80	25'-4"	23'-5"	22'-3"	21'-1"	27'-2"	25'-3"	24'-1"	22'-9"
	NI-90	25'-10"	23'-10"	22'-8"	21'-5"	27'-8"	25'-8"	24'-6"	23'-2"

Live load deflection limit of L/360

Joist depth	Joist series	Bare				Mid-span blocking			
		On centre spacing				On centre spacing			
		12"	16"	19.2"	24"	12"	16"	19.2"	24"
9-1/2"	NI-20	15'-10"	15'-0"	14'-3"	12'-9"	16'-8"	15'-5"	14'-3"	12'-9"
	NI-40x	16'-11"	15'-11"	15'-1"	13'-6"	17'-8"	16'-7"	15'-1"	13'-6"
	NI-60	17'-1"	16'-1"	15'-6"	14'-10"	17'-10"	16'-11"	16'-4"	15'-6"
	NI-80	18'-1"	17'-0"	16'-4"	15'-8"	19'-2"	17'-10"	17'-2"	16'-6"
11-7/8"	NI-20	17'-10"	16'-10"	16'-2"	14'-6"	19'-0"	17'-9"	16'-3"	14'-6"
	NI-40x	19'-3"	17'-10"	17'-2"	15'-5"	20'-6"	18'-10"	17'-3"	15'-5"
	NI-60	19'-6"	18'-1"	17'-4"	16'-8"	20'-9"	19'-4"	18'-6"	17'-8"
	NI-80	20'-11"	19'-4"	18'-5"	17'-7"	22'-3"	20'-8"	19'-8"	18'-8"
	NI-90	21'-4"	19'-9"	18'-9"	17'-10"	22'-8"	21'-1"	20'-1"	19'-0"
14"	NI-40x	21'-4"	19'-9"	18'-10"	16'-11"	22'-10"	20'-9"	18'-11"	16'-11"
	NI-60	21'-8"	20'-1"	19'-2"	18'-2"	23'-3"	21'-7"	20'-7"	19'-5"
	NI-80	23'-3"	21'-6"	20'-5"	19'-4"	24'-10"	23'-1"	22'-0"	20'-10"
	NI-90	23'-9"	21'-11"	20'-10"	19'-8"	25'-4"	23'-6"	22'-5"	21'-2"
16"	NI-60	23'-7"	21'-10"	20'-10"	19'-9"	25'-5"	23'-8"	22'-7"	20'-11"
	NI-80	25'-4"	23'-5"	22'-3"	21'-1"	27'-2"	25'-3"	24'-1"	22'-9"
	NI-90	25'-10"	23'-10"	22'-8"	21'-5"	27'-8"	25'-8"	24'-6"	23'-2"

Notes:

1. The tabulated clear spans are based on CSA O86:19 and NBC 2020, and are applicable to residential floor construction meeting the above design criteria.
2. The vibration-controlled span is determined using Clause A.5.4.5.2 b) of CSA O86:19.
3. For multiple-span applications, the end spans shall be 40% or more of the adjacent span.
4. Minimum bearing length shall be 1-3/4 inch for end bearings, and 3-1/2 inches for intermediate bearings.
5. Bearing stiffeners are not required when I-joists are used in accordance with this table, except as required for hangers.

Maximum Floor Spans – H7.2, Mid-span Blocking

Design Criteria

Spans:	Multiple spans
Loads:	Live load = 40 psf and dead load = 35 psf
Deflection limit:	L/240 under total load
Sheathing:	3/4 in. nailed-glued Canadian softwood plywood

Maximum Floor Spans

Live load deflection limit of L/480

Joist depth	Joist series	Bare				Mid-span blocking			
		On centre spacing				On centre spacing			
		12"	16"	19.2"	24"	12"	16"	19.2"	24"
9-1/2"	NI-20	16'-5"	15'-7"	14'-2"	12'-8"	17'-3"	15'-7"	14'-2"	12'-8"
	NI-40x	17'-7"	16'-6"	15'-0"	13'-5"	18'-6"	16'-6"	15'-0"	13'-5"
	NI-60	17'-9"	16'-9"	16'-1"	14'-4"	18'-9"	17'-6"	16'-11"	14'-4"
	NI-80	19'-1"	17'-8"	17'-0"	14'-4"	20'-1"	18'-8"	17'-10"	14'-4"
11-7/8"	NI-20	18'-8"	17'-6"	16'-2"	14'-5"	19'-11"	17'-9"	16'-2"	14'-5"
	NI-40x	20'-3"	18'-9"	17'-2"	15'-4"	21'-6"	18'-10"	17'-2"	15'-4"
	NI-60	20'-6"	19'-0"	18'-2"	17'-4"	21'-10"	20'-3"	19'-4"	17'-7"
	NI-80	22'-0"	20'-4"	19'-5"	17'-10"	23'-4"	21'-8"	20'-8"	17'-10"
14"	NI-90	22'-6"	20'-9"	19'-9"	18'-9"	23'-10"	22'-1"	21'-1"	20'-0"
	NI-40x	22'-5"	20'-8"	18'-10"	16'-10"	23'-11"	20'-8"	18'-10"	16'-10"
	NI-60	22'-10"	21'-2"	20'-2"	18'-11"	24'-5"	22'-8"	21'-7"	18'-11"
	NI-80	24'-6"	22'-8"	21'-6"	20'-1"	26'-1"	24'-3"	23'-1"	20'-1"
16"	NI-90	25'-0"	23'-1"	21'-11"	20'-3"	26'-7"	24'-8"	23'-6"	20'-3"
	NI-60	24'-11"	23'-0"	21'-11"	19'-8"	26'-9"	24'-10"	23'-4"	19'-8"
	NI-80	26'-8"	24'-8"	23'-5"	21'-11"	28'-7"	26'-6"	25'-3"	21'-11"
	NI-90	27'-2"	25'-1"	23'-11"	21'-11"	29'-1"	27'-0"	25'-9"	21'-11"

Live load deflection limit of L/360

Joist depth	Joist series	Bare				Mid-span blocking			
		On centre spacing				On centre spacing			
		12"	16"	19.2"	24"	12"	16"	19.2"	24"
9-1/2"	NI-20	16'-5"	15'-7"	14'-2"	12'-8"	17'-3"	15'-7"	14'-2"	12'-8"
	NI-40x	17'-7"	16'-6"	15'-0"	13'-5"	18'-6"	16'-6"	15'-0"	13'-5"
	NI-60	17'-9"	16'-9"	16'-1"	14'-4"	18'-9"	17'-6"	16'-11"	14'-4"
	NI-80	19'-1"	17'-8"	17'-0"	14'-4"	20'-1"	18'-8"	17'-10"	14'-4"
11-7/8"	NI-20	18'-8"	17'-6"	16'-2"	14'-5"	19'-11"	17'-9"	16'-2"	14'-5"
	NI-40x	20'-3"	18'-9"	17'-2"	15'-4"	21'-6"	18'-10"	17'-2"	15'-4"
	NI-60	20'-6"	19'-0"	18'-2"	17'-4"	21'-10"	20'-3"	19'-4"	17'-7"
	NI-80	22'-0"	20'-4"	19'-5"	17'-10"	23'-4"	21'-8"	20'-8"	17'-10"
14"	NI-90	22'-6"	20'-9"	19'-9"	18'-9"	23'-10"	22'-1"	21'-1"	20'-0"
	NI-40x	22'-5"	20'-8"	18'-10"	16'-10"	23'-11"	20'-8"	18'-10"	16'-10"
	NI-60	22'-10"	21'-2"	20'-2"	18'-11"	24'-5"	22'-8"	21'-7"	18'-11"
	NI-80	24'-6"	22'-8"	21'-6"	20'-1"	26'-1"	24'-3"	23'-1"	20'-1"
16"	NI-90	25'-0"	23'-1"	21'-11"	20'-3"	26'-7"	24'-8"	23'-6"	20'-3"
	NI-60	24'-11"	23'-0"	21'-11"	19'-8"	26'-9"	24'-10"	23'-4"	19'-8"
	NI-80	26'-8"	24'-8"	23'-5"	21'-11"	28'-7"	26'-6"	25'-3"	21'-11"
	NI-90	27'-2"	25'-1"	23'-11"	21'-11"	29'-1"	27'-0"	25'-9"	21'-11"

Notes:

1. The tabulated clear spans are based on CSA O86:19 and NBC 2020, and are applicable to residential floor construction meeting the above design criteria.
2. The vibration-controlled span is determined using Clause A.5.4.5.2 b) of CSA O86:19.
3. For multiple-span applications, the end spans shall be 40% or more of the adjacent span.
4. Minimum bearing length shall be 1-3/4 inch for end bearings, and 3-1/2 inches for intermediate bearings.
5. Bearing stiffeners are not required when I-joists are used in accordance with this table, except as required for hangers.