

NORDIC

INSTALLATION GUIDE NORDIC JOIST

NS-G133 
ENGLISH VERSION
2022-01-01

Engineered Wood Products BASIC INSTALLATION GUIDE FOR RESIDENTIAL FLOORS



NORDIC STRUCTURES

nordic.ca

INSTALLING NORDIC I-JOISTS

1. Installation of Nordic I-joists shall be as shown in details 1.
2. Except for cutting to length, I-joist flanges should never be cut, drilled or notched.
3. Install I-joists so that top and bottom flanges are within 1/2 inch of true vertical alignment.
4. Concentrated loads should only be applied to the top surface of the top flange. Concentrated loads should not be suspended from the bottom flange with the exception of light loads, such as ceiling fans or light fixtures.
5. I-joists must be protected from the weather prior to installation.
6. I-joists must not be used in applications where they will be permanently exposed to weather, or will reach a moisture content of 15 percent or greater, such as in swimming pool or hot tub areas. They must not be installed where they will remain in direct contact with concrete or masonry.
7. End bearing length must be at least 1-3/4 inch. For multiple-span joists, intermediate bearing length must be at least 3-1/2 inches.
8. Ends of floor joists shall be restrained to prevent rollover. Use rim board or I-joist blocking panels.
9. I-joists installed beneath bearing walls perpendicular to the joists shall have full-depth blocking panels, rim board, or squash blocks (cripple blocks) to transfer gravity loads from above the floor system to the wall or foundation below.
10. For I-joists installed directly beneath bearing walls parallel to the joists or used as rim board or blocking panels, the maximum vertical load using a single I-joist is 3,300 plf, and 6,000 plf if double I-joists are used.
11. Continuous lateral support of the I-joist's compression flange is required to prevent rotation and buckling. In simple span uses, lateral support of the top flange is normally supplied by the floor sheathing. In multiple-span or cantilever applications, bracing of the I-joist's bottom flange is also required at interior supports of multiple-span joists, and at the end support next to the cantilever extension. The ends of all cantilever extensions must be laterally braced as shown in details 3, 4, or 5.
12. Nails installed in flange face or edge shall be spaced in accordance with the applicable building code requirements or approved building plans, but should not be closer than those specified on page 3.3 of the Nordic Joist Technical Guide (NS-GT3).
13. Details 1 show only I-joist-specific fastener requirements. For other fastener requirements, see the applicable building code.
14. For proper temporary bracing of wood I-joists and placement of temporary construction loads, see [APA Technical Note: Temporary Construction Loads over I-Joist Roofs and Floors, Form J735](#).

All nails shown in the details are assumed to be common nails unless otherwise noted. Nails shall have a diameter not less than 0.128 inch for 2-1/2 inch nails, or 0.144 inch for 3-inch nails. Individual components not shown to scale for clarity.

SAFETY AND CONSTRUCTION PRECAUTIONS

I-joists are not stable until completely installed, and will not carry any load until fully braced and sheathed.

Avoid Accidents by Following these Important Guidelines:

1. Brace and nail each I-joist as it is installed, using hangers, blocking panels, rim board, and/or cross-briding at joint ends. When I-joists are applied continuous over interior supports and a load-bearing wall is planned at that location, blocking will be required at the interior support.
 2. When the building is completed, the floor sheathing will provide lateral support for the top flanges of the I-joists. Until this sheathing is applied, temporary bracing, often called struts, or temporary sheathing must be applied to prevent I-joist rollover or buckling.
 - Temporary bracing or struts must be 1x4 inch minimum, at least 8 feet long and spaced no more than 8 feet on centre, and must be secured with a minimum of two 2-1/2 inch nails fastened to the top surface of each I-joist. Nail the bracing to a lateral restraint at the end of each bay. Lap ends of adjoining bracing over at least two I-joists.
 - Or, sheathing (temporary or permanent) can be nailed to the top flange of the first 4 feet of I-joists at the end of the bay.
 3. For cantilevered I-joists, brace top and bottom flanges, and brace ends with closure panels, rim board, or cross-briding.
 4. Install and fully nail permanent sheathing to each I-joist before placing loads on the floor system. Then, stack building materials over beams or walls only.
 5. Never install a damaged I-joist.
- Improper storage or installation, failure to follow applicable building codes, failure to follow span ratings for Nordic I-joists, failure to follow allowable hole sizes and locations, or failure to use web stiffeners when required can result in serious accidents. Follow these installation guidelines carefully.



Do not walk on I-joists until fully fastened and braced, or serious injuries can result.



Never stack building materials over unsheathed I-joists. Once sheathed, do not overstress I-joist with concentrated loads from building materials.

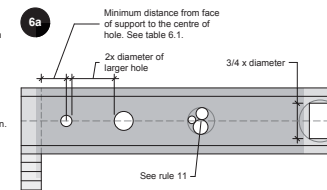
NORDIC I-JOIST SERIES RESIDENTIAL SERIES

Model	Series	Length	Depth	Flange Width	Fasteners	Pieces per unit
NI-20	2x3 S-P-F No. 2	3/8 in. web	9-1/2 and 11-7/8 in.	2-1/2" x 3-1/2"	3/8 in. web	33 pieces per unit
NI-40x	2x3 1950F MSR	3/8 in. web	9-1/2, 11-7/8 and 14 in.	2-1/2" x 3-1/2"	3/8 in. web	33 pieces per unit
NI-60	2x3 2100F MSR	3/8 in. web	9-1/2, 11-7/8, 14 and 16 in.	2-1/2" x 3-1/2"	3/8 in. web	33 pieces per unit
NI-80	2x4 2100F MSR	3/8 in. web	9-1/2, 11-7/8, 14 and 16 in.	2-1/2" x 3-1/2"	3/8 in. web	23 pieces per unit
NI-90	2x4 2400F MSR	3/8 in. web	11-7/8, 14 and 16 in.	2-1/2" x 3-1/2"	3/8 in. web	23 pieces per unit

WEB HOLES AND OPENINGS

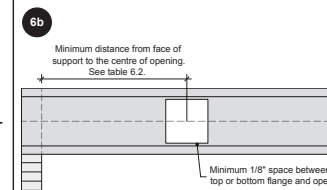
WEB HOLES IN I-JOISTS

- Rules for Cutting Holes in I-Joists
1. The distance between the inside edge of the support and the centreline of any hole shall be in compliance with the requirements of Table 6.1.
 2. I-joist top and bottom flanges must never be cut, notched or otherwise modified.
 3. Whenever possible, field-cut holes should be centred on the middle of the web.
 4. The maximum size hole that can be cut into an I-joist web shall equal the clear distance between the flanges of the I-joist minus 1/4 inch. A minimum of 1/8 inch should always be maintained between the top or bottom of the opening and the adjacent I-joist flange.
 5. The sides of square holes or longest sides of rectangular holes should not exceed 3/4 of the diameter of the maximum round hole permitted at that location.
 6. Where more than one hole is necessary, the distance between adjacent hole edges shall exceed twice the diameter of the largest round hole or twice the size of the largest square hole - or twice the length of the longest side of the longest rectangular hole - and each hole must be sized and located in compliance with the requirements of Table 6.1.
 7. Holes measuring 1-1/2 inch or smaller shall be permitted anywhere in a cantilevered section of a joist. Holes of greater size may be permitted subject to verification.
 8. A 1-1/2 inch hole or smaller can be placed anywhere in the web provided that it meets the requirements of rule number 6 above. For more than three holes per span, space holes at minimum 15 inches on centre or contact Nordic Structures.
 9. All holes shall be cut in accordance with the restrictions listed above and as illustrated in detail 6a.
 10. Limit three maximum-size holes per span.
 11. A group of round holes at approximately the same location shall be permitted if it meets the requirements for a single round hole circumscribed around them.



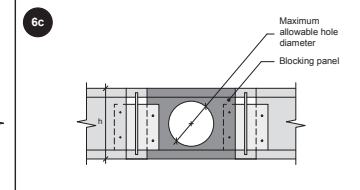
DUCT CHASE OPENINGS

- Rules for Cutting Duct Chase Openings in I-joists
1. The distance between the inside edge of the support and the centreline of a duct chase opening shall be in compliance with the requirements of Table 6.2.
 2. I-joist top and bottom flanges must never be cut, notched or otherwise modified.
 3. The maximum depth of a duct chase opening that can be cut into an I-joist web shall equal the clear distance between the flanges of the I-joist minus 1/4 inch. A minimum of 1/8 inch should always be maintained between the top or bottom of the opening and the adjacent I-joist flange.
 4. All openings shall be cut in accordance with the restrictions listed above and as illustrated in detail 6b.
 5. Limit one maximum-size duct chase opening per span.



HOLES IN BLOCKING PANELS

- Maximum Allowable Hole Size in Lateral-restraint-only Blocking Panels
1. The maximum allowable hole size for a lateral-restraint-only blocking panel is 2/3 of the lesser dimension of the blocking's depth or length. Assuming the blocking panel is longer than its height (or depth), the table aside applies. For other applications, contact Nordic Structures.
 2. Holes cut into the blocking panels are subject to the following limitations:
 - The top and bottom flanges of an I-joist blocking panel must never be cut, notched or otherwise modified.
 - Field-cut holes must be centred, in the blocking horizontally.
 - While round holes are preferred, rectangular holes may be used provided the corners are not over cut. Slightly rounding corners or pre-drilling corners with a 1-inch-diameter bit is recommended.
 3. All holes must be cut in a workman-like manner in accordance with the limitations listed above.



I-joist or rim board blocking depth (in.)	Maximum allowable hole diameter (in.) ⁽¹⁾
9-1/2	6-1/4
11-7/8	7-3/4
14	9-1/4
16	10-1/2

⁽¹⁾ Maximum allowable hole diameter in blocking panel, where the blocking panel is longer than its height.

RIM BOARDS

- | Width | Length |
|-----------|--------|
| 1-1/8 in. | 16 ft |
- Depth 9-1/2 to 16 in.
APA Rim Board Plus

1. Never drill, cut or notch the flange, or over-cut the web.
2. Holes in web should be cut with a sharp saw.
3. Avoid over-cutting the corners, as this can cause unnecessary stress concentrations. Slightly rounding the corners is recommended. Starting the rectangular hole by drilling a 1-inch-diameter hole in each of the four corners and then making the cuts between the holes is another good method to minimize damage to the I-joist.

TABLE 6.1 - LOCATION OF WEB HOLES

Simple or multiple span
Minimum distance from inside face of any support to centre of hole (8-in.)

Joist series	Joist depth	Round hole diameter (in.)															
		2	3	4	5	6	6-1/4	7	8	8-5/8	9	10	10-3/4	11	12	12-3/4	
9-1/2"	NI-20	0-7"	1-6"	2-10"	4-3"	5-8"	6-0"	-	-	-	-	-	-	-	-	-	-
	NI-40x	0-7"	1-6"	3-0"	4-4"	6-0"	6-4"	-	-	-	-	-	-	-	-	-	-
	NI-60	1-3"	2-6"	4-0"	5-4"	7-0"	7-5"	-	-	-	-	-	-	-	-	-	-
	NI-80	2-3"	3-6"	5-0"	6-4"	8-2"	8-8"	-	-	-	-	-	-	-	-	-	-
11-7/8"	NI-20	0-7"	0-8"	1-0"	2-4"	3-8"	4-0"	5-0"	6-8"	7-8"	-	-	-	-	-	-	-
	NI-40x	0-7"	0-8"	1-3"	2-8"	4-0"	4-4"	5-5"	7-0"	8-4"	10-0"	-	-	-	-	-	-
	NI-60	0-7"	1-8"	3-0"	4-3"	6-0"	7-3"	8-10"	10-0"	-	-	-	-	-	-	-	-
	NI-80	1-6"	2-10"	4-2"	5-6"	7-0"	7-5"	8-6"	10-3"	11-4"	-	-	-	-	-	-	-
14"	NI-20	0-7"	0-8"	1-5"	3-2"	4-10"	5-4"	6-9"	8-9"	10-2"	-	-	-	-	-	-	-
	NI-40x	0-7"	0-8"	1-0"	2-4"	2-9"	3-9"	5-2"	6-0"	6-6"	8-3"	10-2"	-	-	-	-	-
	NI-60	0-7"	0-8"	1-4"	3-0"	4-3"	4-8"	5-8"	7-2"	8-0"	8-8"	10-4"	11-9"	-	-	-	-
	NI-80	0-10"	2-0"	3-4"	4-9"	6-2"	6-5"	7-6"	9-0"	10-0"	10-8"	12-4"	13-9"	-	-	-	-
16"	NI-20	0-7"	0-8"	1-0"	2-5"	4-0"	4-5"	5-9"	7-5"	8-8"	9-4"	11-4"	12-11"	-	-	-	-
	NI-40x	0-7"	0-8"	0-8"	1-0"	2-4"	2-9"	3-9"	5-2"	6-0"	6-6"	8-3"	10-2"	-	-	-	-
	NI-60	0-7"	0-8"	1-1"	3-2"	4-2"	5-8"	6-4"	7-0"	8-8"	9-8"	11-5"	12-2"	12-2"	13-9"	-	-
	NI-80	0-7"	1-3"	2-6"	3-10"	5-3"	5-6"	6-6"	8-0"	9-0"	9-5"	11-0"	12-3"	12-9"	14-5"	16-0"	-

Notes:
1. Tabulated values are applicable to residential floor construction meeting the adjacent design criteria.
2. The above table is based on I-joists being used at their maximum spans. The minimum distance as given above may be reduced for shorter spans. Contact your local distributor.

Design Criteria	Joist spacing	
	Up to 24 inches	Live load = 40 psf and dead load = 15 psf
Deflection limits	L/480 under live load and L/240 under total load	

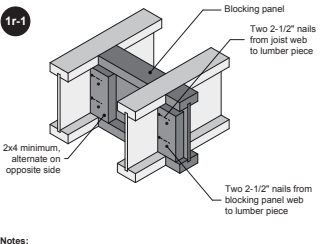
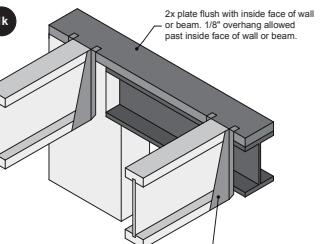
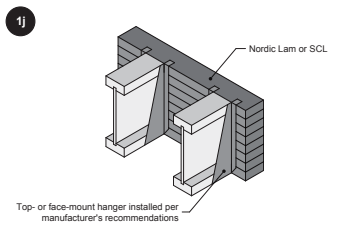
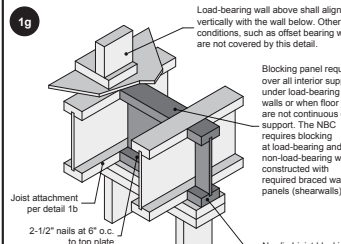
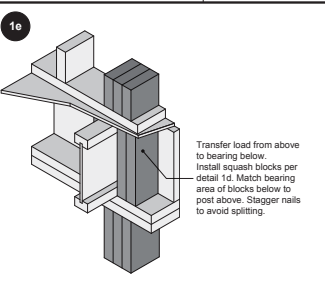
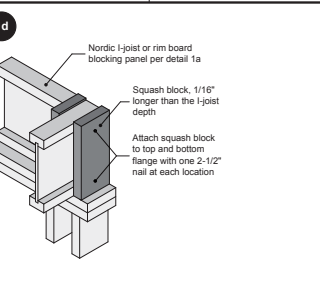
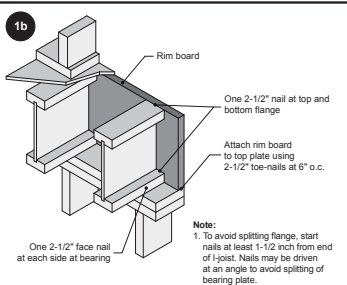
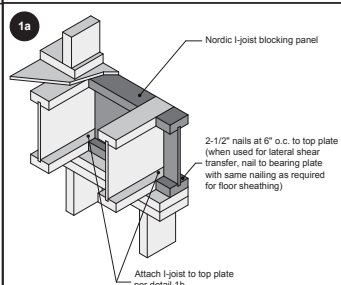
TABLE 6.2 - LOCATION OF DUCT CHASE OPENINGS

Simple span
Minimum distance from inside face of any support to centre of opening (ft.-in.)

Joist series	Joist depth	Duct chase length (ft.-in.)												
		8	10	12	14	16	18	20	22	24				
9-1/2"	NI-20	5'-6"	5'-10"	6'-2"	-	-	-	-	-	-	-	-	-	-
	NI-40x	5'-3"	5'-8"	6'-0"	6'-5"	6'-10"	7'-3"	7'-8"	-	-	-	-	-	-
	NI-80	5'-4"	5'-9"	6'-2"	6'-7"	7'-1"	7'-5"	8'-0"	-	-	-	-	-	-
11-7/8"	NI-20	7'-3"	7-7"	7-11"	-	-	-	-	-	-	-	-	-	-
	NI-40x	6'-8"	7-2"	7-6"	8-1"	8-6"	9-1"	9-6"	-	-	-	-	-	-
	NI-60	7'-3"	7-8"	8-0"	8-6"	9-0"	9-3"	9-9"	-	-	-	-	-	-
	NI-80	7-2"	7-7"	8-0"	8-5"	8-9"	9-3"	9-8"	10-2"	10-8"	-	-	-	-
14"	NI-20	7-8"	7-11"	8-4"	8-9"	9-2"	9-7"	10-1"	10-7"	11-1"	-	-	-	-
	NI-40x	8-1"	8-7"	9-0"	9-6"	10-1"	10-7"	11-2"	-	-	-	-	-	-
	NI-60	8-9"	9-3"	9-8"	10-1"	10-6"	11-1"	11-6"	-	-	-	-	-	-
	NI-80	9-0"	9-3"	9-8"	10-1"	10-7"	11-1"	11-6"	12-1"	12-6"	-	-	-	-
16"	NI-20	10-2"	9-8"	10-0"	10-6"	10-11"	11-5"	11-9"	-	-	-	-	-	-
	NI-40x	9-1"	8-7"	9-0"	9-6"	10-1"	10-7"	11-2"	-	-	-	-	-	-
	NI-60	10-4"	10-9"	11-3"	11-9"	12-1"	12-7"	13-1"	13-8"	14-4"	-	-	-	-
	NI-80	10-0"	11-2"	11-8"	12-6"	13-0"	13-6"	14-2"	14-10"	-	-	-	-	-

Notes:
1. Tabulated values are applicable to residential floor construction meeting the above design criteria.

Design Criteria	Joist spacing	
	Up to 24 inches	Live load = 40 psf and dead load = 15 psf
Deflection limits	L/480 under live load and L/240 under total load	

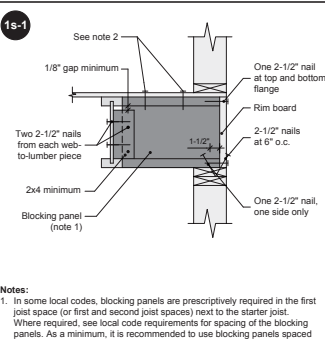
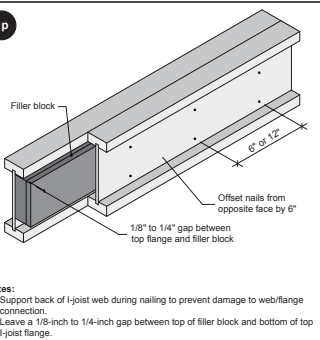
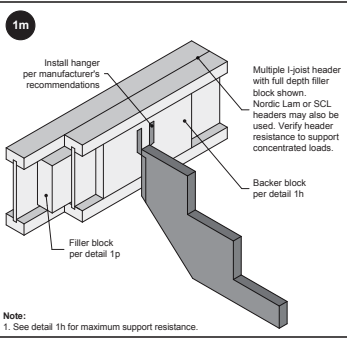
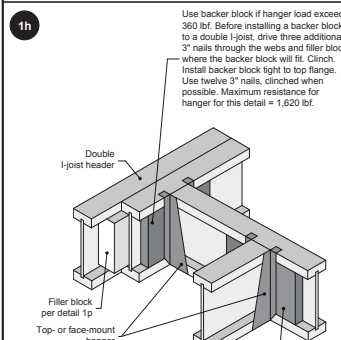


- Notes:
1. An occasional blocking panel (one per line of blocking) may be left out for the passage of plumbing or ventilation ducts. For other applications, contact Nordic Structures.
2. For other options, see details 1g-1 to 1g-5.

- Notes:
1. Unless hanger sides laterally support the top flange, bearing stiffeners shall be used.
2. For nailing schedules for multiple Nordic Lam or SCL beams, see the manufacturer's recommendations.

- Notes:
1. Unless hanger sides laterally support the top flange, bearing stiffeners shall be used.

- Notes:
1. This detail may be used to reduce floor vibration.
2. Blocking panels may be of any I-joist series. Nails attaching lumber piece to I-joist web should be driven from the web side and clinched on the lumber side.
3. One occasional blocking panel may be left out for the passage of plumbing or ventilation ducts. Otherwise, a hole of not more than 2/3 of the lesser dimension of the blocking depth or length may be drilled in the blocking panel.

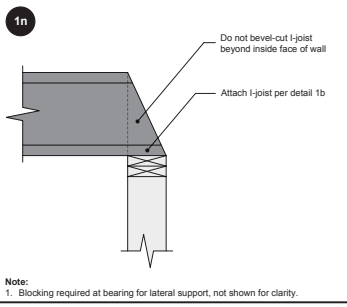


Nailed to Only One Flange Edge (Top View)

Flange face nailing ⁽¹⁾	Web nailing ⁽²⁾
2-1/2	1 x 2-5/16 Minimum width
3-1/2	1-1/2 x 2-5/16 Minimum width

Recommended Closest Nail Spacing for Fastening Sheathing to I-joist Flanges to Minimize Splitting

Fastener size (diameter x length)	Flange face nailing ⁽¹⁾		Web nailing ⁽²⁾	
	End distance (in.)	Nail spacing (in.)	End distance (in.)	Nail spacing (in.)
0.125" or smaller in diameter, and 3-1/4" or shorter in length	2	2	2	4
	2	3	2	6
Greater than 0.125" up to 0.148" in diameter, and 3-1/4" or shorter in length	2	3	2	6
	2	3	2	6



Filler Block Requirements for Double I-joist Construction

Flange width (in.)	Net depth (in.)	Filler block size (in.)	Example
2-1/2	9-1/2	2-1/8 to 2-1/4 x 6	2x8 x 5/8" or 3/4" sheathing
	11-7/8	2-1/8 to 2-1/4 x 8	2x8 x 5/8" or 3/4" sheathing
3-1/2	9-1/2	3 x 6	2 x 2x6
	11-7/8	3 x 8	2 x 2x8
4	9-1/2	3 x 10	2 x 2x10
	11-7/8	3 x 12	2 x 2x12

- Notes:
1. In some local codes, blocking panels are